



### Contact characteristics

IEC Conventional free air thermal current $I_{th} \leq 40^\circ\text{C}$	A	160
Rated insulation voltage $U_i$ IEC/EN	V	1000
Rated impulse withstand voltage $U_{imp}$	kV	8
Operating current $I_e$		
AC21A	400V	A 160
	500V	A 160
	690V	A 160
AC22A	400V	A 160
	500V	A 125
	690V	A 125
AC23A	400V	A 160
	500V	A 125
	690V	A 80
Power dissipation per pole max	W	4
Rated operational power AC23A	400V	kW 90
	690V	kW 75
Reactive power for control of capacitors at		
Rated short time current (1s) $I_{cw}$ (rms)	kA	7
Conditional short-circuit current (rms)	kA	100
Short-circuit protection with fuse	Class/A	gG160
Making capacity AC23A 400V	A	1600
Breaking capacity AC23A 400V	A	1280
Mechanical life	cycles	30000
Electrical life AC21A	cycles	1000 (AC23A 400V)

### Mechanical features

Operating position	normal allowable	Vertical plan Any
Fixing		Screw
Terminals	type screw	Built-in terminal lug M8
Tightening torque for terminals	max	Nm 4
	max	lbin 3
Conductor section		
Bar dimensions max		18x3

### Ambient conditions

Operating temperature

min	°C	-25
max	°C	55

Storage temperature

min	°C	-40
max	°C	70

Max altitude

m	3000
---	------

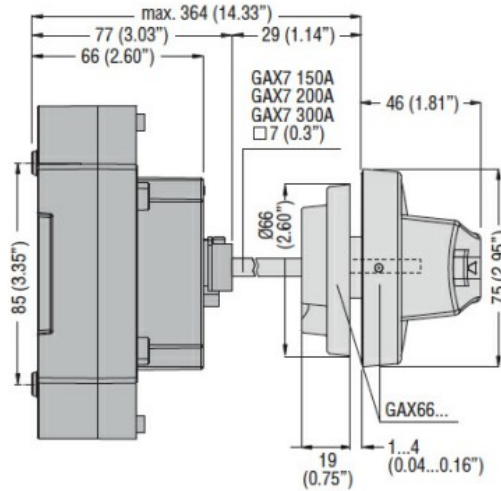
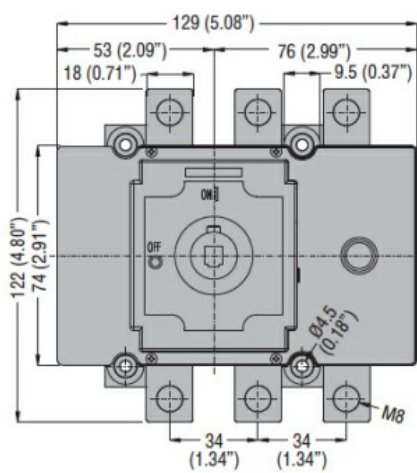
Resistance & Protection

Frontal IP degree	IP20
-------------------	------

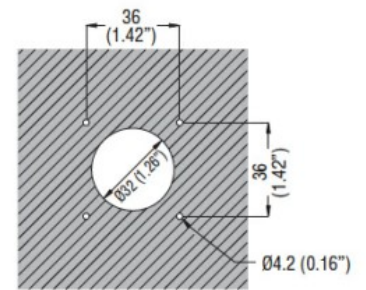
Terminals IP degree	IP20
---------------------	------

Pollution degree	3
------------------	---

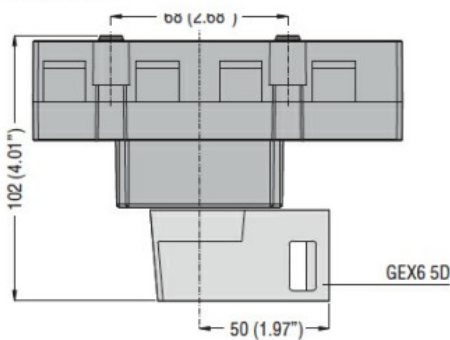
Dimensions



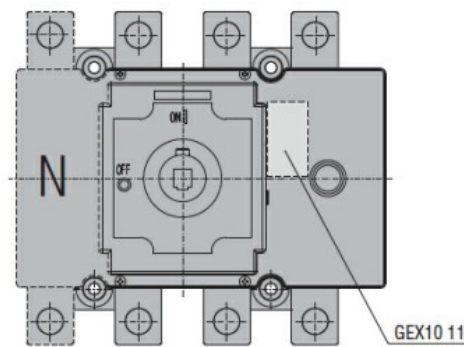
Drilling



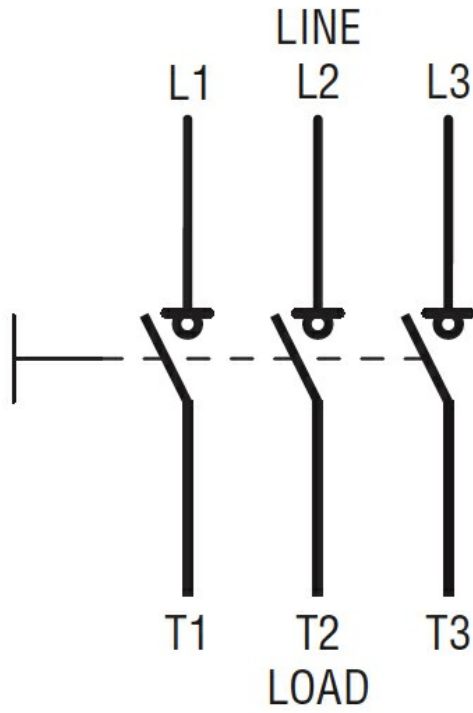
Direct operating version with handle  
GEX6 5D



With auxiliary contact



Wiring diagrams



**Certifications and compliance**

Compliance

IEC/EN 60947-1

IEC/EN 60947-3

Certifications

EAC

**ETIM classification**

ETIM 8.0

EC000216 -  
 Switch  
 disconnecter