



Contact characteristics

| | | |
|--|---------|-------------------|
| IEC Conventional free air thermal current $I_{th} \leq 40^\circ\text{C}$ | A | 200 |
| Rated insulation voltage U_i IEC/EN | V | 1000 |
| Rated impulse withstand voltage U_{imp} | kV | 8 |
| Operating current I_e | | |
| AC21A | 400V | A 200 |
| | 500V | A 200 |
| | 690V | A 200 |
| AC22A | 400V | A 200 |
| | 500V | A 200 |
| | 690V | A 160 |
| AC23A | 400V | A 160 |
| | 500V | A 125 |
| Power dissipation per pole max | W | 6 |
| Rated operational power AC23A | 400V | kW 89 |
| | 690V | kW 76 |
| Reactive power for control of capacitors at | | |
| Rated short time current (1s) I_{cw} (rms) | kA | 7 |
| Conditional short-circuit current (rms) | kA | 100 |
| Short-circuit protection with fuse | Class/A | gG200 |
| Making capacity AC23A 400V | A | 1600 |
| Mechanical life | cycles | 30000 |
| Electrical life AC21A | cycles | 1000 (AC23A 400V) |

Mechanical features

| | | |
|---------------------------------|------------------|-------------------|
| Operating position | normal allowable | Vertical plan Any |
| Fixing | | Screw |
| Terminals | type screw | Bar M10 |
| Tightening torque for terminals | max | Nm 24 |
| | max | lbin 18 |
| Conductor section | | |
| Bar dimensions max | | 26x3 |

Ambient conditions

| | | | |
|-----------------------|-----|------------------|-----|
| Operating temperature | min | $^\circ\text{C}$ | -25 |
| | max | $^\circ\text{C}$ | 55 |

Storage temperature

| | | |
|-----|----|-----|
| min | °C | -40 |
| max | °C | 70 |

Max altitude

| | |
|---|------|
| m | 3000 |
|---|------|

Resistance & Protection

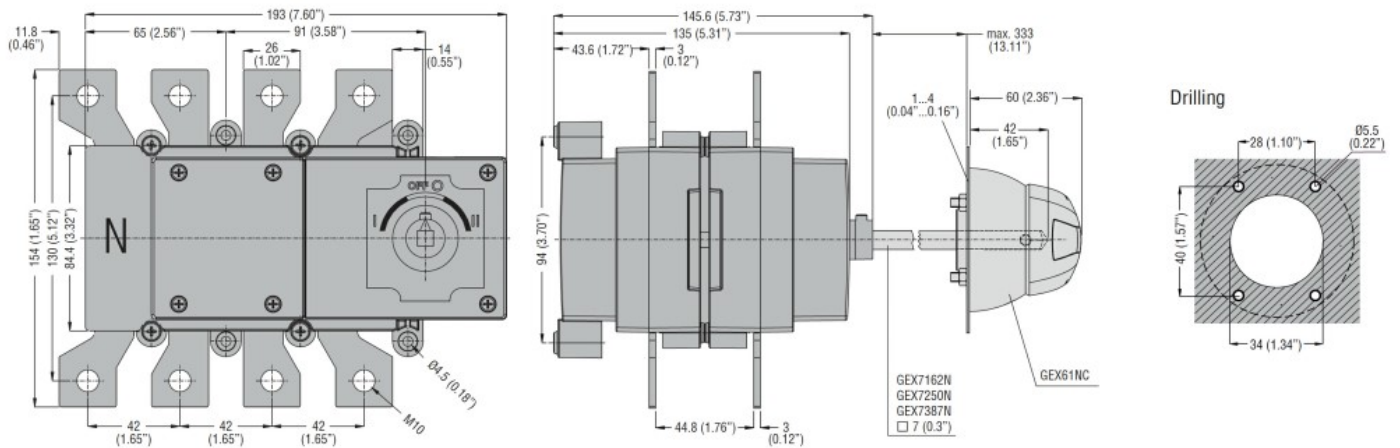
Frontal IP degree

IP20

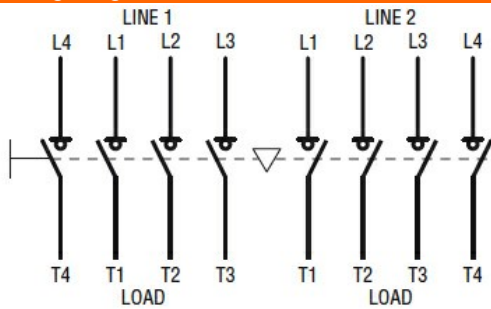
Pollution degree

3

Dimensions



Wiring diagrams



Certifications and compliance

Compliance

IEC/EN 60947-1
IEC/EN 60947-3

Certifications

EAC

ETIM classification

ETIM 8.0

EC000216 -
Switch
disconnecter