



### Contact characteristics

|  |         |                   |
|--|---------|-------------------|
| IEC Conventional free air thermal current $I_{th} \leq 40^\circ\text{C}$ | A       | 250               |
| Rated insulation voltage $U_i$ IEC/EN                                    | V       | 1000              |
| Rated impulse withstand voltage $U_{imp}$                                | kV      | 8                 |
| Operating current $I_e$  |         |                   |
| AC21A  | 400V    | A 250             |
|  | 500V    | A 250             |
|  | 690V    | A 200             |
| AC22A  | 400V    | A 250             |
|  | 500V    | A 250             |
|  | 690V    | A 160             |
| AC23A  | 400V    | A 250             |
|  | 500V    | A 200             |
|  | 690V    | A 160             |
| Power dissipation per pole max   | W       | 2.5               |
| Rated operational power AC23A  | 400V    | kW 138            |
|  | 690V    | kW 153            |
| Reactive power for control of capacitors at                              |         |                   |
| Rated short time current (1s) $I_{cw}$ (rms)                             | kA      | 12                |
| Conditional short-circuit current (rms)                                  | kA      | 100               |
| Short-circuit protection with fuse                                       | Class/A | gG250             |
| Making capacity AC23A 400V   | A       | 2500              |
| Breaking capacity AC23A 400V   | A       | 2000              |
| Mechanical life  | cycles  | 20000             |
| Electrical life AC21A  | cycles  | 1000 (AC23A 400V) |

### Mechanical features

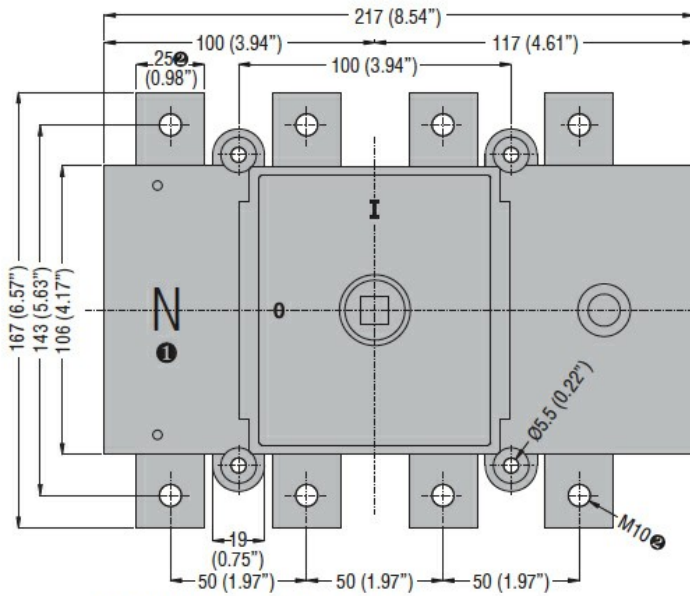
|                                 |                  |                   |
|---------------------------------|------------------|-------------------|
| Operating position              | normal allowable | Vertical plan Any |
| Fixing                          |                  | Screw             |
| Terminals                       | type screw       | Bar M10           |
| Tightening torque for terminals | max              | Nm 18             |
|                                 | max              | lbin 10           |
| Conductor section               |                  |                   |
| Bar dimensions max              |                  | 25x4              |

### Ambient conditions

Operating temperature

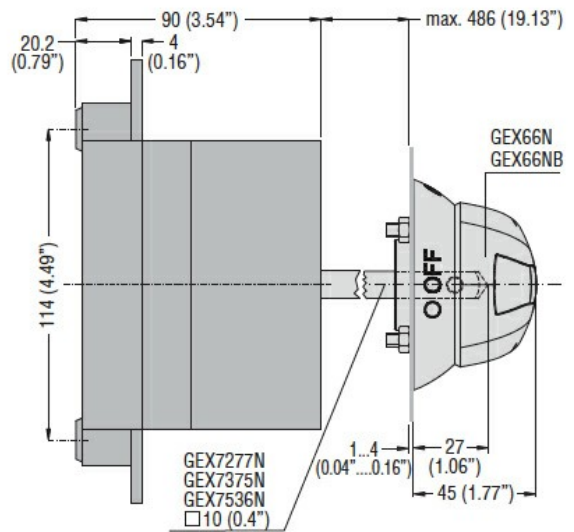
|                                    |     |    |      |
|------------------------------------|-----|----|------|
|                                    | min | °C | -25  |
|                                    | max | °C | 55   |
| Storage temperature                |     |    |      |
|                                    | min | °C | -40  |
|                                    | max | °C | 70   |
| Max altitude                       |     | m  | 3000 |
| <b>Resistance &amp; Protection</b> |     |    |      |
| Frontal IP degree                  |     |    | IP20 |
| Pollution degree                   |     |    | 3    |

**Dimensions**

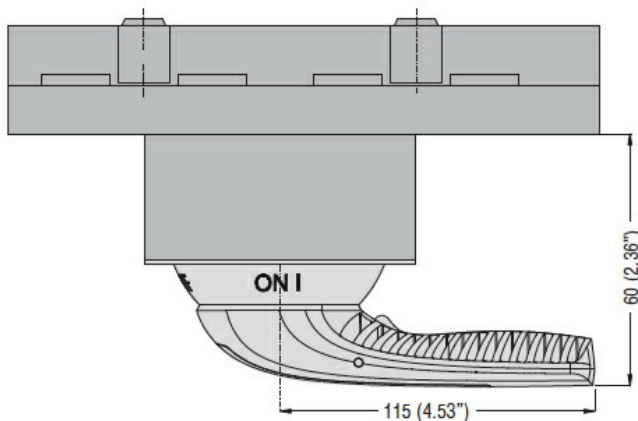


- ❶ Not indicated on GE... DT4 type.
- ❷ 20mm (0.79") and M8 for GE0125 DT4 type.

**Door coupling version with handle  
GEX66N - GEX66NB**

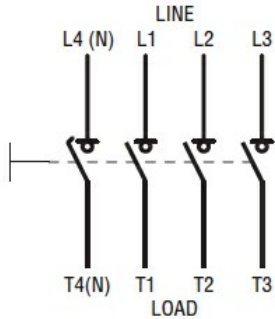


**Direct operating version with handle  
GEX66ND**



**Wiring diagrams**

Four-pole disconnectors  
**GE0160 T4 - GE1600 T4**  
**GE0160 T4P**



**Certifications and compliance**

Compliance

IEC/EN 60947-1

IEC/EN 60947-3

Certifications

EAC

**ETIM classification**

ETIM 8.0

EC000216 -  
 Switch  
 disconnector