



Contact characteristics

IEC Conventional free air thermal current $I_{th} \leq 40^\circ\text{C}$	A	400
Rated insulation voltage U_i IEC/EN	V	1000
Rated impulse withstand voltage U_{imp}	kV	12
Operating current I_e		
AC21A	400V	A 400
	500V	A 400
	690V	A 400
AC22A	400V	A 400
	500V	A 400
	690V	A 400
AC23A	400V	A 400
	500V	A 400
	690V	A 315
Power dissipation per pole max	W	29
Rated operational power AC23A	400V	kW 220
	690V	kW 250
Reactive power for control of capacitors at		
Conditional short-circuit current (rms)	kA	100
Specific let through energy I^2t	kA ² s	1.6
Making capacity AC23A 400V	A	4000
Breaking capacity AC23A 400V	A	3200
Mechanical life	cycles	10000
Electrical life AC21A	cycles	1000 (AC23A 400V)

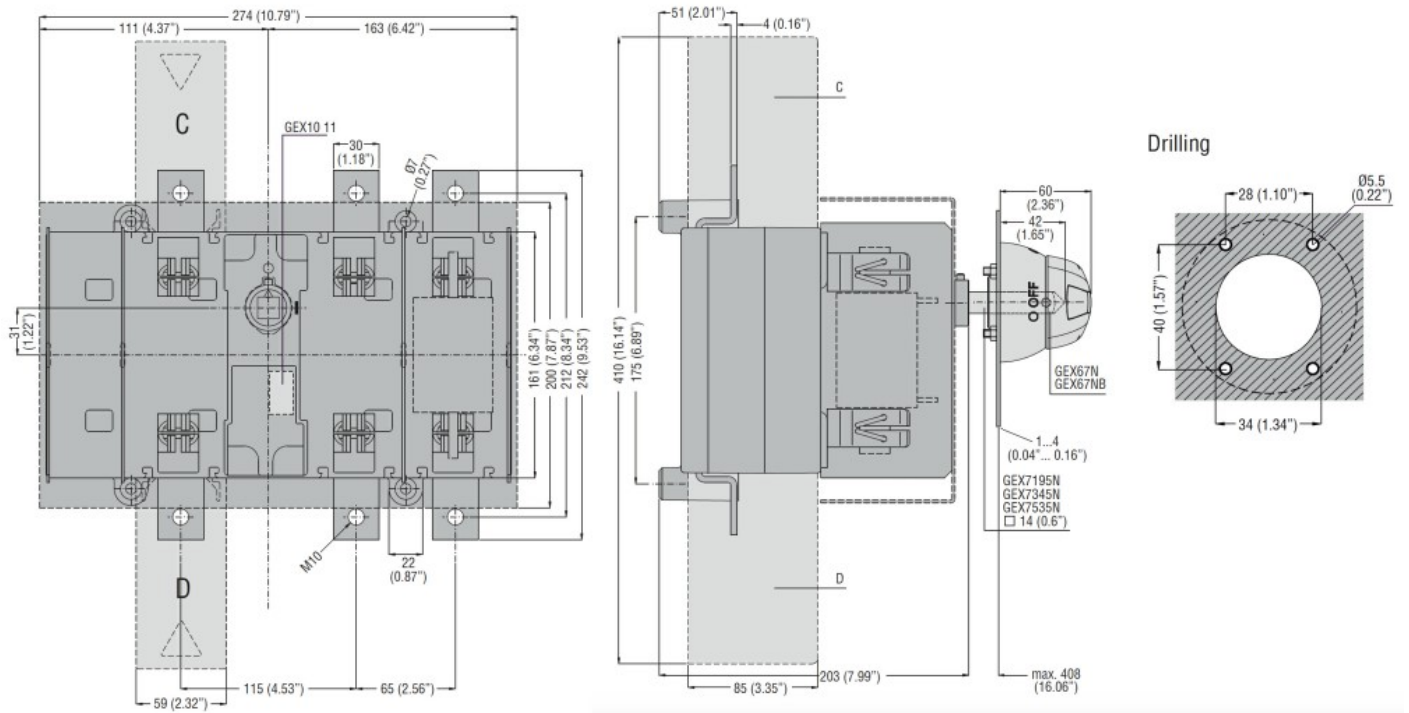
Mechanical features

Operating position	normal allowable	Vertical plan Any
Fixing		Screw
Terminals	type screw	Bar M10
Tightening torque for terminals	max	Nm 24
	max	lbin 18
Conductor section		
Bar dimensions max		35x5

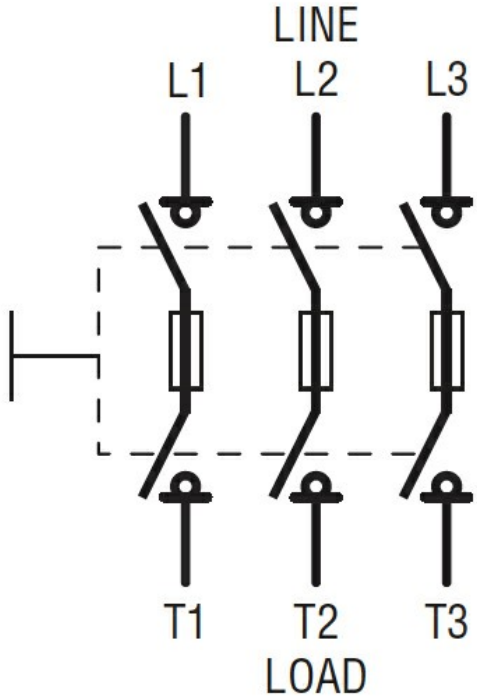
Ambient conditions

Operating temperature	min	°C	-25
-----------------------	-----	----	-----

Storage temperature	max	°C	55
	min	°C	-40
Max altitude	max	°C	70
		m	3000
Resistance & Protection			
Frontal IP degree	IP20		
Pollution degree	3		
Dimensions			



Wiring diagrams



Certifications and compliance

Compliance

IEC/EN 60947-1

IEC/EN 60947-3

Certifications

EAC

ETIM classification

ETIM 8.0

EC000216 -
Switch
disconnecter