



Contact characteristics			
IEC Conventional free air thermal current $I_{th} \leq 40^\circ\text{C}$	A		400
Rated insulation voltage U_i IEC/EN	V		1000
Rated impulse withstand voltage U_{imp}	kV		8
Operating current I_e			
AC21A			
	400V	A	400
	500V	A	400
	690V	A	400
AC22A			
	400V	A	400
	500V	A	400
	690V	A	315
AC23A			
	400V	A	250
	500V	A	200
Power dissipation per pole max	W		22
Rated operational power AC23A			
	400V	kW	125
	690V	kW	138
Reactive power for control of capacitors at			
Rated short time current (1s) I_{cw} (rms)	kA		8
Conditional short-circuit current (rms)	kA		100
Short-circuit protection with fuse	Class/A		gG400
Making capacity AC23A 400V	A		4000
Mechanical life	cycles		10000
Electrical life AC21A	cycles		1000 (AC23A 400V)
Mechanical features			
Operating position	normal allowable		Vertical plan Any
Fixing			Screw
Terminals	type screw		Bar M10
Tightening torque for terminals	max	Nm	24
	max	lbin	18
Conductor section			
Bar dimensions max			35x3
Ambient conditions			
Operating temperature	min	$^\circ\text{C}$	-25
	max	$^\circ\text{C}$	55

Storage temperature

min	°C	-40
max	°C	70

Max altitude

m	3000
---	------

Resistance & Protection

Frontal IP degree

IP20

Pollution degree

3

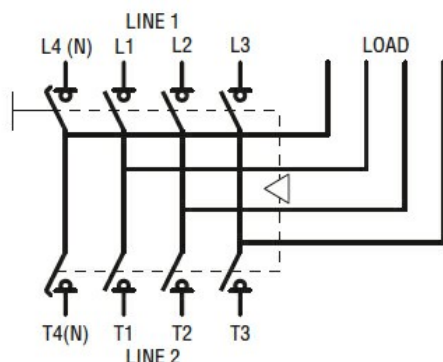
Dimensions



TYPE	A	B	C	D	ØE	F	G	H	J	K	L	M	N	O	P	Q	R Max	S	Ø T	U	V	Shaft extension W	Terminal covers (N° of pcs/set)		
																							X (line 1)	Y (line 2)	Z (load)
GE0201 E GE0250 E GE0315 E GE0400 E	235 (9.25")	119.5 (4.70")	115.5 (4.55")	25 (0.98")	5.5 (0.22")	157 (6.18")	192 (7.56")	216 (8.50")	45 (1.77")	88 (3.46")	357 (14.05")	170 (6.69")	42 (1.65")	3 (0.12")	67 (2.64")	151 (5.94")	437 (17.2")	143 (5.63")	M10	133 (5.24")	142 (5.59")	GEX7227N GEX7375N GEX7536N □ 10 (0.6")	GEX82 12 (3)	GEX82 11 (3)	GEX83 12 (3)
GE0201 ET4 GE0250 ET4 GE0315 ET4 GE0400 ET4																							GEX82 13 (4)	GEX82 13 (4)	GEX83 12 (4)
GE0500 E GE0630 E GE0800 E	321 (12.63")	162 (6.38")	159 (6.26")	40 (1.57")	7 (0.27")	232 (9.13")	282 (11.10")	312 (12.28")	65 (2.56")	121 (4.73")	482 (18.98")	247 (9.72")	46 (1.81")	5 (0.20")	87 (3.42")	180 (7.09")	417 (16.42")	176 (6.93")	M12	186 (7.32")	171 (6.73")	GEX7195N GEX7345N GEX7535N □ 10 (0.6")	GEX82 22 (3)	GEX82 21 (3)	GEX83 21 (3)
GE0500 ET4 GE0630 ET4 GE0800 ET4																							GEX82 23 (4)	GEX82 23 (4)	GEX83 22 (4)

Wiring diagrams

GE0201 ET4 - GE1600 ET4



Certifications and compliance

Compliance

IEC/EN 60947-1
IEC/EN 60947-3

Certifications

EAC

ETIM classification

ETIM 8.0

EC000216 -
Switch
disconnecter