



Contact characteristics

IEC Conventional free air thermal current $I_{th} \leq 40^\circ\text{C}$	A	250
Rated insulation voltage U_i IEC/EN	V	1000
Rated impulse withstand voltage U_{imp}	kV	12
Operating current I_e		
AC21A	400V	A 250
	500V	A 250
AC22A	400V	A 250
	500V	A 250
AC23A	400V	A 250
	500V	A 200
Power dissipation per pole max	W	17
Reactive power for control of capacitors at		
Conditional short-circuit current (rms)	kA	100
Making capacity AC23A 400V	A	2500
Breaking capacity AC23A 400V	A	2000
Mechanical life	cycles	8000

Mechanical features

Fixing	Screw		
Terminals			
	type	Lug terminals or bars	
	width	mm	30
	height	mm	7
	screw	M10	
Tightening torque for terminals			
	max	Nm	18
	max	lbin	159
Conductor section			
Weight		g	3400

UL technical data

Operating voltage max	V	500
-----------------------	---	-----

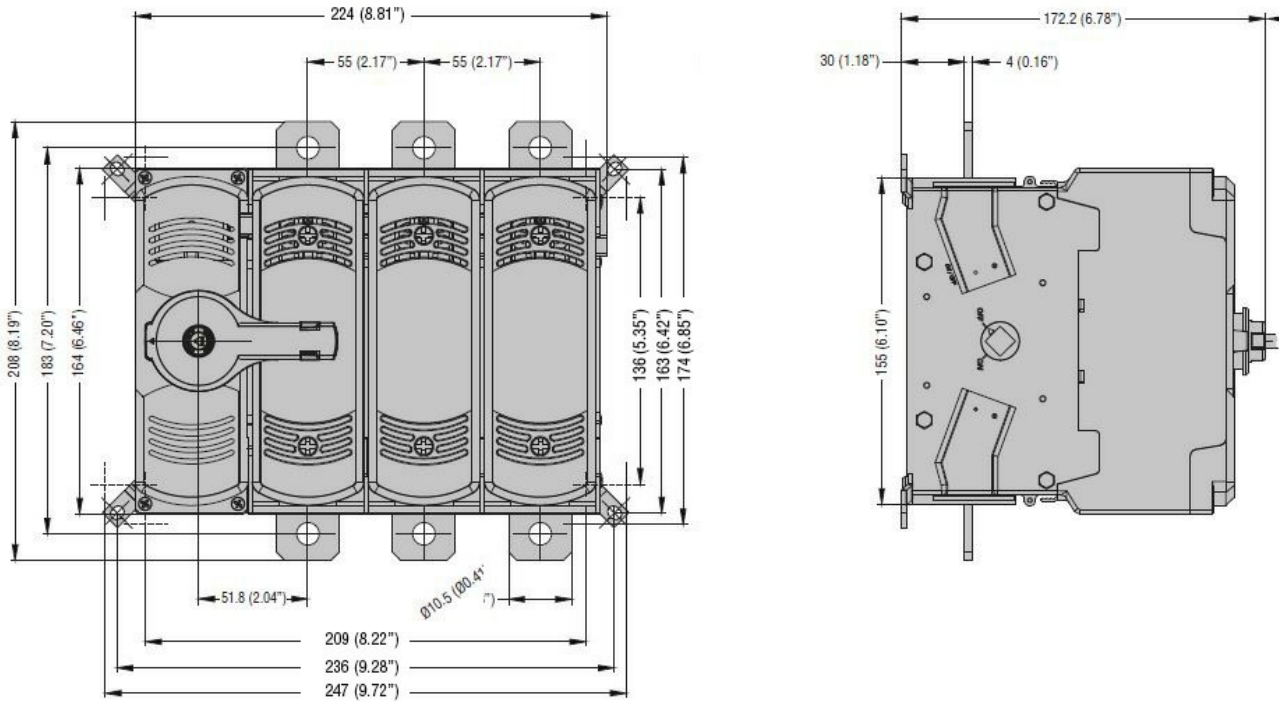
Ambient conditions

Operating temperature			
	min	$^\circ\text{C}$	-25
	max	$^\circ\text{C}$	55
Storage temperature			
	min	$^\circ\text{C}$	-40
	max	$^\circ\text{C}$	70
Max altitude		m	3000

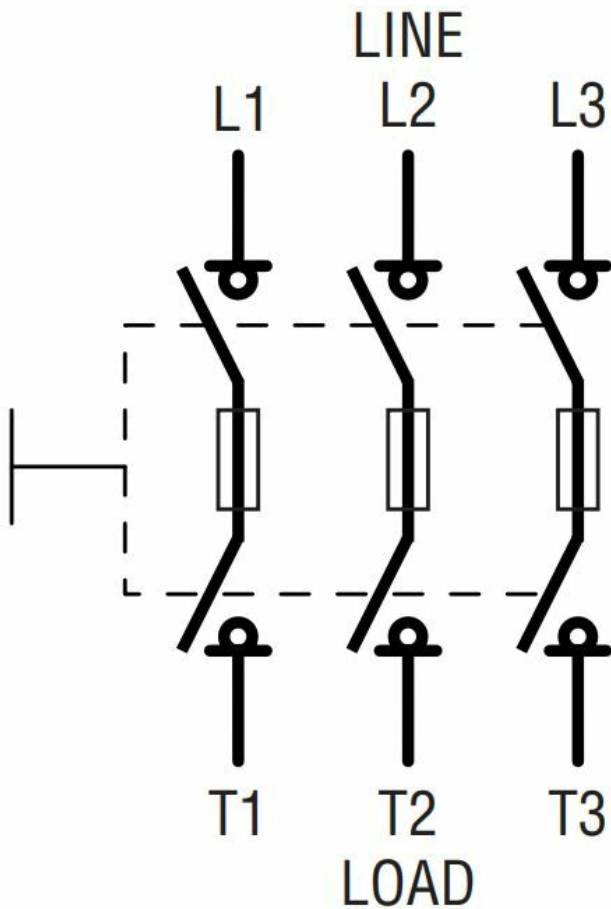
Resistance & Protection

Pollution degree		3
------------------	--	---

Dimensions



Wiring diagrams



Certifications and compliance

Compliance

IEC/EN/BS 60947-1
 IEC/EN/BS 60947-3

Certifications

CE
UKCA

ETIM classification

ETIM 8.0

EC000216 -
Switch
disconnecter