



Contact characteristics

IEC Conventional free air thermal current $I_{th} \leq 40^\circ\text{C}$	A	250
Rated insulation voltage U_i IEC/EN	V	1000
Rated impulse withstand voltage U_{imp}	kV	12
Operating current I_e		
AC21A	400V	A 250
	500V	A 250
AC22A	400V	A 250
	500V	A 250
AC23A	400V	A 250
	500V	A 200
Power dissipation per pole max	W	17
Reactive power for control of capacitors at		
Conditional short-circuit current (rms)	kA	100
Making capacity AC23A 400V	A	2500
Breaking capacity AC23A 400V	A	2000
Mechanical life	cycles	8000

Mechanical features

Operating position	normal allowable	Vertical plan Any
Fixing		Screw
Terminals	type	Lug terminals or bars
	width	mm 30
	height	mm 7
	screw	M10
Tightening torque for terminals	max	Nm 18
	max	lbin 159
Conductor section		
Weight	g	4200

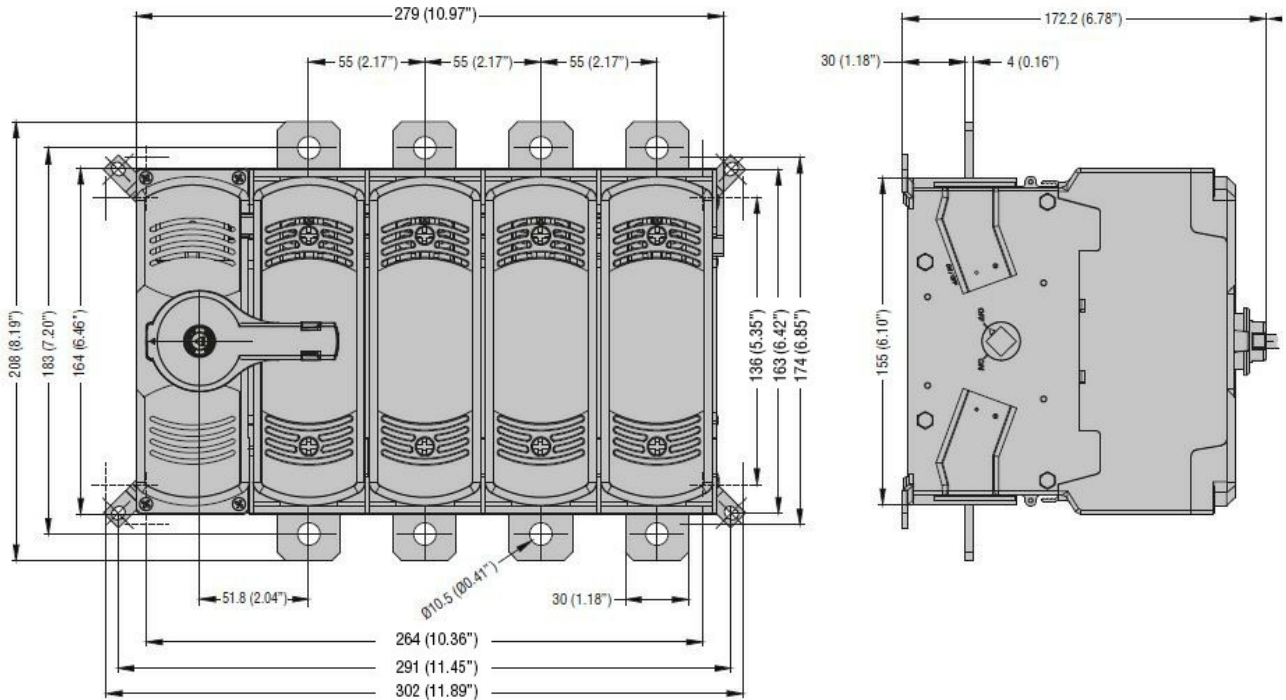
UL technical data

Operating voltage max	V	500
-----------------------	---	-----

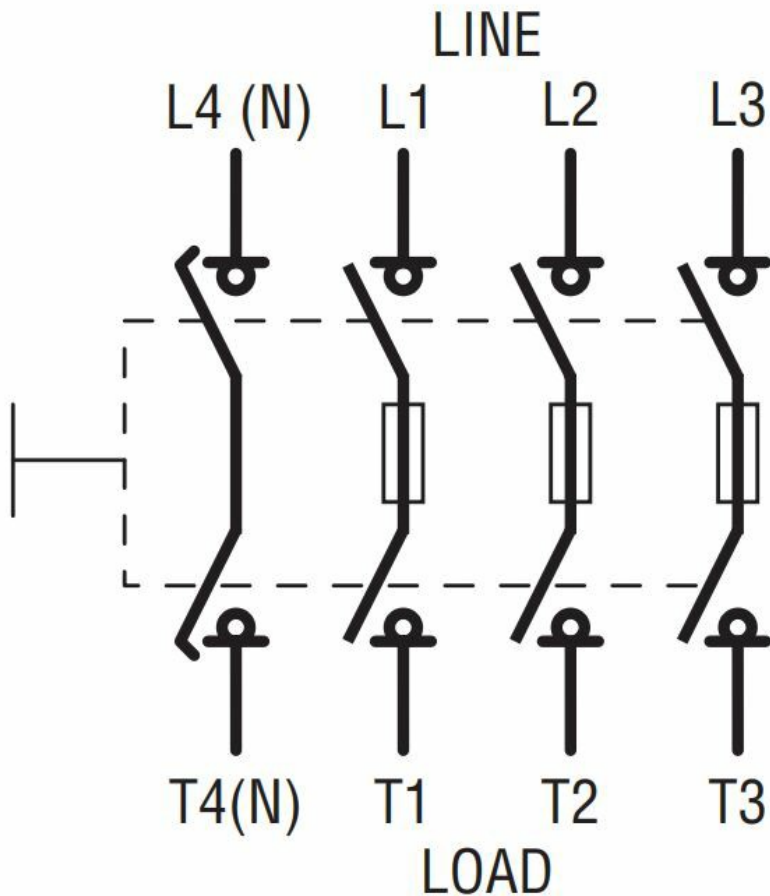
Ambient conditions

Operating temperature	min	$^\circ\text{C}$	-25
	max	$^\circ\text{C}$	55
Storage temperature	min	$^\circ\text{C}$	-40
	max	$^\circ\text{C}$	70

Max altitude	m	3000
Resistance & Protection		
Pollution degree	3	
Dimensions		



Wiring diagrams



Certifications and compliance

Compliance

IEC/EN/BS 60947-1
IEC/EN/BS 60947-3

Certifications

CE
UKCA

ETIM classification

ETIM 8.0

EC000216 -
Switch
disconnecter