

### General characteristics

Switching diagram	19 - Dahlander motor control switch 0-1-2
N° of elements	4
Mounting form	U47 - Snap on front mounting with black handle for hole diam. 22mm finxing

### Contact characteristics

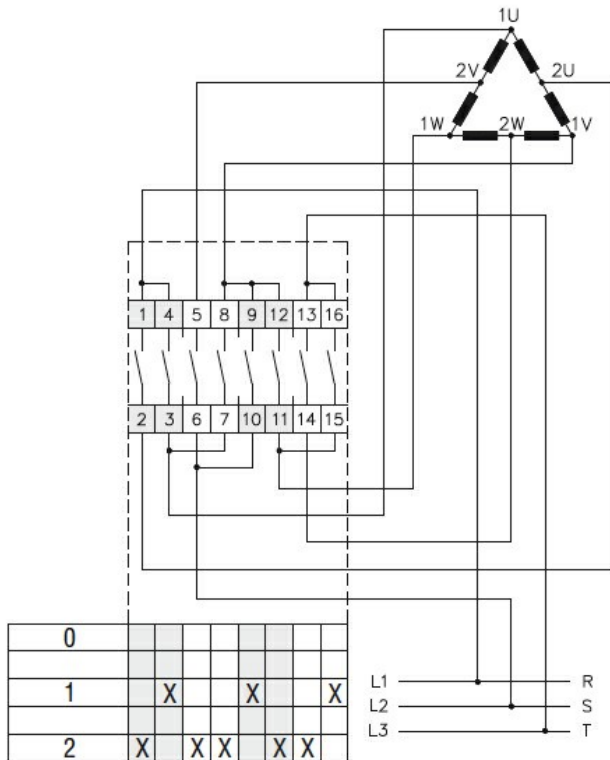
Rated insulation voltage $U_i$	IEC/EN	V	480	
	UL/CSA	V	240	
Rated impulse withstand voltage $U_{imp}$		kV	4	
Conventional free air thermal current $I_{th}$	IEC/EN	A	10	
	UL/CSA	A	10	
Rated operational voltage		V	480	
Rated operational impulse voltage		kV	4	
Maximum fuse size for short-circuit protection $I_n$ (gG)	10kA	A	16	
Rated short time current $I_{cw}$	1s	kA	250	
Conductivity			10/5 mA/V	
Operational current $I_e$ IEC/EN	AC1/AC21A		A	10
	AC15	110V	A	5
		220/230V	A	3
		380/400V	A	2
Rated operational power in AC	Three-phase AC-3	220/230V	kW	1.5
		380/440V	kW	2.2
	Single-phase AC-3	110V	kW	0.3
		220/230V	kW	0.55
		380/440V	kW	0.75
	Three-phase AC23A	220/230V	kW	1.8
		380/440V	kW	3
	Single-phase AC23A	110V	kW	0.7
		220/230V	kW	0.75
		380/440V	kW	1.1
Rated operational current in DC	DC21A	48V	A	10
		60V	A	7
		110V	A	2
		220V	A	0.7
		440V	A	0.2

DC13			
	24V	A	3
	48V	A	3
	60V	A	2
	110V	A	1
	220V	A	0.3
	440V	A	0.1
Power dissipation		W	0.4
<b>Mechanical features</b>			
Terminals screw			2.5M
Tightening torque for terminals max		Nm	0.4
Conductor size			
AWG - Rigid cable			
	min	AWG	20
	Max	AWG	14
AWG - Flexible cable			
	min	AWG	20
	Max	AWG	14
Conductor size (IEC) - Flexible cable			
	min	mm <sup>2</sup>	0.5
	Max	mm <sup>2</sup>	1.5
Conductor size (IEC) - Rigid cable			
	min	mm <sup>2</sup>	0.5
	Max	mm <sup>2</sup>	1.5
Mechanical life		cycles	1x10 <sup>6</sup>
<b>UL technical data</b>			
Motor power for direct-on-line control			
for three-phase motor			
	240V	HP	2
for single-phase motor			
	240V	HP	0.75
<b>Ambient conditions</b>			
Temperature			
Operating temperature			
	min	°C	-25
	max	°C	+55
Storage temperature			
	min	°C	-40
	max	°C	+70
<b>Resistance &amp; Protection</b>			
Frontal IP degree			IP40
Terminals IP degree			IP20
<b>Dimensions</b>			



Series	Dimensions		L			
	□A	E	1	2	3...8	
GF10	30	18.5	60	72	84	144
GF20	48	26.5	56	69.5	83	150.5

**Wiring diagrams**



**Certifications and compliance**

**Compliance**

- CSA C22.2 n° 14
- IEC/EN/BS 60947-1
- IEC/EN/BS 60947-3
- IEC/EN/BS 60947-5-1
- UL60947-4-1

**Certificates**

- cULus
- EAC

**ETIM classification**

ETIM 8.0

EC001029 -  
Selector switch,  
complete