

General characteristics

Switching diagram	20 - Dahlander motor 2-speed reversing switch
N° of elements	6
Mounting form	U - Front mounting with black handle

Contact characteristics

Rated insulation voltage U_i	IEC/EN	V	480	
	UL/CSA	V	240	
Rated impulse withstand voltage U_{imp}		kV	4	
Conventional free air thermal current I_{th}	IEC/EN	A	10	
	UL/CSA	A	10	
Rated operational voltage		V	480	
Rated operational impulse voltage		kV	4	
Maximum fuse size for short-circuit protection I_n (gG)	10kA	A	16	
Rated short time current I_{cw}	1s	kA	250	
Conductivity			10/5 mA/V	
Operational current I_e IEC/EN	AC1/AC21A		A	10
	AC15	110V	A	5
		220/230V	A	3
		380/400V	A	2
Rated operational power in AC	Three-phase AC-3	220/230V	kW	1.5
		380/440V	kW	2.2
	Single-phase AC-3	110V	kW	0.3
		220/230V	kW	0.55
		380/440V	kW	0.75
	Three-phase AC23A	220/230V	kW	1.8
		380/440V	kW	3
	Single-phase AC23A	110V	kW	0.7
		220/230V	kW	0.75
		380/440V	kW	1.1
	Rated operational current in DC	DC21A	48V	A
60V			A	7
110V			A	2
220V			A	0.7
440V			A	0.2
DC13				

	24V	A	3
	48V	A	3
	60V	A	2
	110V	A	1
	220V	A	0.3
	440V	A	0.1
Power dissipation		W	0.4

Mechanical features

Terminals screw			2.5M
Tightening torque for terminals max		Nm	0.4

Conductor size

AWG - Rigid cable

min	AWG	20
Max	AWG	14

AWG - Flexible cable

min	AWG	20
Max	AWG	14

Conductor size (IEC) - Flexible cable

min	mm ²	0.5
Max	mm ²	1.5

Conductor size (IEC) - Rigid cable

min	mm ²	0.5
Max	mm ²	1.5

Mechanical life		cycles	1x10 ⁶
-----------------	--	--------	-------------------

UL technical data

Motor power for direct-on-line control

for three-phase motor

240V	HP	2
------	----	---

for single-phase motor

240V	HP	0.75
------	----	------

Ambient conditions

Temperature

Operating temperature

min	°C	-25
max	°C	+55

Storage temperature

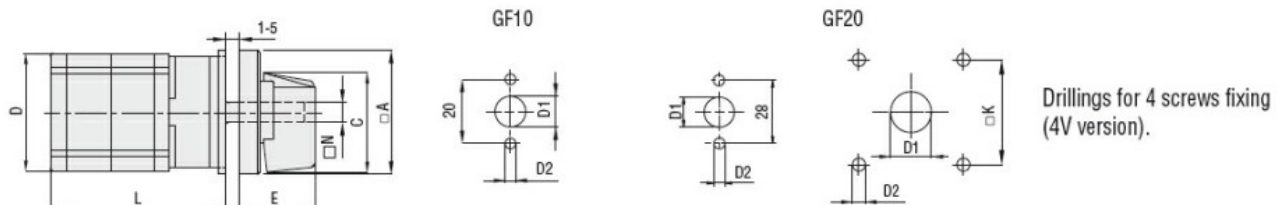
min	°C	-40
max	°C	+70

Resistance & Protection

Frontal IP degree	IP40
-------------------	------

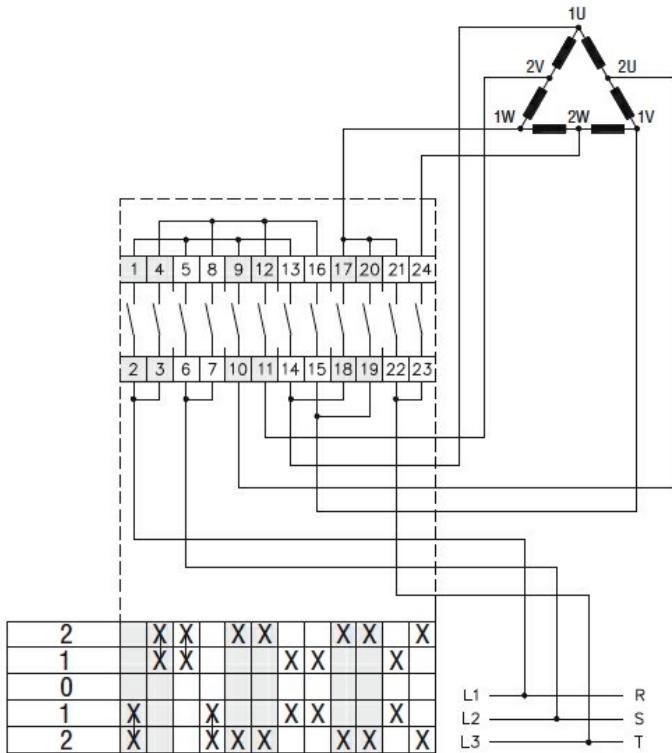
Terminals IP degree	IP20
---------------------	------

Dimensions



Series	Dimensions									L Number of elements											
	□A	C	D	ØD1	ØD2	E	□K	N		1	2	3	4	5	6	7	8	9	10	11	12
GF10	30	24	29	9	3.2	18.5	-	Ø5		40	52	64	76	88	100	112	124	-	-	-	-
GF20	48	39.5	36	12	5	26.5	36	□6		44	57.5	71	84.5	98	111.5	125	138.5	152	165.5	179	192.5

Wiring diagrams



Certifications and compliance

Compliance

- CSA C22.2 n° 14
- IEC/EN/BS 60947-1
- IEC/EN/BS 60947-3
- IEC/EN/BS 60947-5-1
- UL60947-4-1

Certificates

- cULus
- EAC

ETIM classification

ETIM 8.0

EC001029 -
 Selector switch,
 complete