



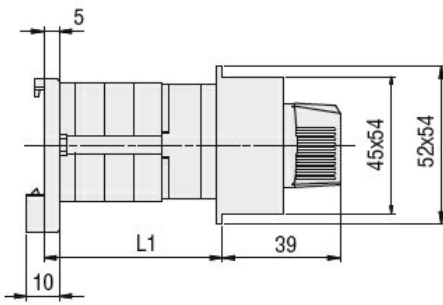
### General characteristics

|                   |  |
|-------------------|--|
| Switching diagram | 90 - ON/OFF switch 1 pole  |
| N° of elements    | 1  |
| Mounting form     | O48 - Modular service cover for 35mm din rail mounting with black handle |

### Contact characteristics

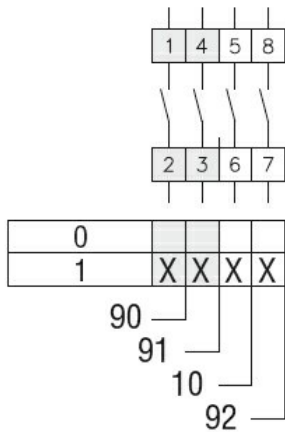
|   |                   |          |           |     |
|---|-------------------|----------|-----------|-----|
| Rated insulation voltage $U_i$                            | IEC/EN            | V        | 480       |     |
|   | UL/CSA            | V        | 240       |     |
| Rated impulse withstand voltage $U_{imp}$                 |                   | kV       | 4         |     |
| Conventional free air thermal current $I_{th}$            | IEC/EN            | A        | 20        |     |
|   | UL/CSA            | A        | 15        |     |
| Rated operational voltage                                 |                   | V        | 480       |     |
| Rated operational impulse voltage                         |                   | kV       | 4         |     |
| Maximum fuse size for short-circuit protection $I_n$ (gG) | 10kA              | A        | 20        |     |
|   | 15kA              | A        | 20        |     |
|   | 25kA              | A        | 20        |     |
| Rated short time current $I_{cw}$                         | 1s                | kA       | 250       |     |
|   |                   |          | 10/5 mA/V |     |
| Conductivity  |                   |          | 10/5 mA/V |     |
| Operational current $I_e$ IEC/EN                          | AC1/AC21A         | A        | 20        |     |
|   | AC15              |          |           |     |
|   | 110V              | A        | 10        |     |
|   | 220/230V          | A        | 8         |     |
|   | 380/400V          | A        | 6         |     |
| Rated operational power in AC                             | Three-phase AC-3  | 220/230V | kW        | 3   |
|   |                   | 380/440V | kW        | 5   |
|   | Single-phase AC-3 | 110V     | kW        | 0.5 |
|   |                   | 220/230V | kW        | 1.5 |
|   |                   | 380/440V | kW        | 2   |
|   | Three-phase AC23A | 220/230V | kW        | 4   |
| 380/440V  |                   | kW       | 7.5       |     |
| Single-phase AC23A  | 110V              | kW       | 0.75      |     |

|   |          |                 |                   |
|---|----------|-----------------|-------------------|
|   | 220/230V | kW              | 2                 |
|   | 380/440V | kW              | 2.5               |
| <b>Rated operational current in DC</b>        |          |                 |                   |
| DC21A   |          |                 |                   |
|   | 48V      | A               | 20                |
|   | 60V      | A               | 20                |
|   | 110V     | A               | 4                 |
|   | 220V     | A               | 0.7               |
|   | 440V     | A               | 0.2               |
| <b>DC13</b>                                   |          |                 |                   |
|   | 24V      | A               | 6                 |
|   | 48V      | A               | 6                 |
|   | 60V      | A               | 3                 |
|   | 110V     | A               | 1                 |
|   | 220V     | A               | 0.4               |
|   | 440V     | A               | 0.15              |
| <b>Power dissipation</b>                      |          | W               | 0.8               |
| <b>Mechanical features</b>                    |          |                 |                   |
| <b>Terminals screw</b>                        |          |                 | M3                |
| <b>Tightening torque for terminals max</b>    |          | Nm              | 0.5               |
| <b>Conductor size</b>                         |          |                 |                   |
| AWG - Rigid cable                             |          |                 |                   |
|   | min      | AWG             | 20                |
|   | Max      | AWG             | 12                |
| AWG - Flexible cable                          |          |                 |                   |
|   | min      | AWG             | 20                |
|   | Max      | AWG             | 12                |
| Conductor size (IEC) - Flexible cable         |          |                 |                   |
|   | min      | mm <sup>2</sup> | 0.5               |
|   | Max      | mm <sup>2</sup> | 2.5               |
| Conductor size (IEC) - Rigid cable            |          |                 |                   |
|   | min      | mm <sup>2</sup> | 0.5               |
|   | Max      | mm <sup>2</sup> | 2.5               |
| <b>Mechanical life</b>                        |          | cycles          | 1x10 <sup>6</sup> |
| <b>UL technical data</b>                      |          |                 |                   |
| <b>Motor power for direct-on-line control</b> |          |                 |                   |
| for three-phase motor                         |          |                 |                   |
|   | 240V     | HP              | 3                 |
| for single-phase motor                        |          |                 |                   |
|   | 240V     | HP              | 1                 |
| <b>Ambient conditions</b>                     |          |                 |                   |
| <b>Temperature</b>                            |          |                 |                   |
| Operating temperature                         |          |                 |                   |
|   | min      | °C              | -25               |
|   | max      | °C              | +55               |
| Storage temperature                           |          |                 |                   |
|   | min      | °C              | -40               |
|   | max      | °C              | +70               |
| <b>Resistance &amp; Protection</b>            |          |                 |                   |
| <b>Frontal IP degree</b>                      |          |                 | IP40              |
| <b>Terminals IP degree</b>                    |          |                 | IP20              |
| <b>Dimensions</b>                             |          |                 |                   |



| Series | L1 |      |    |
|--------|----|------|----|
|        | 1  | 2    | 3  |
| GF20   | 40 | 53.5 | 67 |

**Wiring diagrams**



**Certifications and compliance**

**Compliance**

- CSA C22.2 n° 14
- IEC/EN/BS 60947-1
- IEC/EN/BS 60947-3
- IEC/EN/BS 60947-5-1
- UL60947-4-1

**Certificates**

- cULus
- EAC

**ETIM classification**

ETIM 8.0

EC001029 -  
Selector switch,  
complete