



### Contact characteristics

IEC Conventional free air thermal current $I_{th} \leq 40^\circ\text{C}$	A	160
Rated insulation voltage $U_i$ IEC/EN	V	1000
Rated impulse withstand voltage $U_{imp}$	kV	12
Operating current $I_e$		
AC21A	400V	A 160
	500V	A 160
	690V	A 160
AC22A	400V	A 160
	500V	A 160
	690V	A 160
AC23A	400V	A 160
	500V	A 160
	690V	A 160
Power dissipation per pole max	W	4
Rated operational power AC23A	400V	kW 90
	690V	kW 134
Reactive power for control of capacitors at		
Rated short time current (1s) $I_{cw}$ (rms)	kA	6
Rated short time current (0.3s) $I_{cw}$ (rms)	kA	12
Conditional short-circuit current (rms)	kA	100
Short-circuit protection with fuse	Class/A	gG/160
Making capacity AC23A 400V	A	1600
Breaking capacity AC23A 400V	A	1280
Mechanical life	cycles	20000

### Mechanical features

Operating position	normal allowable	Vertical plan Any
Fixing		Screw / DIN rail 35mm
Terminals	type	M8 x 25
Tightening torque for terminals	min	Nm 15
	max	Nm 22
	min	lbin 132
	max	lbin 194
Conductor section	IEC min	mm <sup>2</sup> 70
	IEC max	mm <sup>2</sup> 185

AWG/kcmil min	00
AWG/kcmil max	kcmil 400

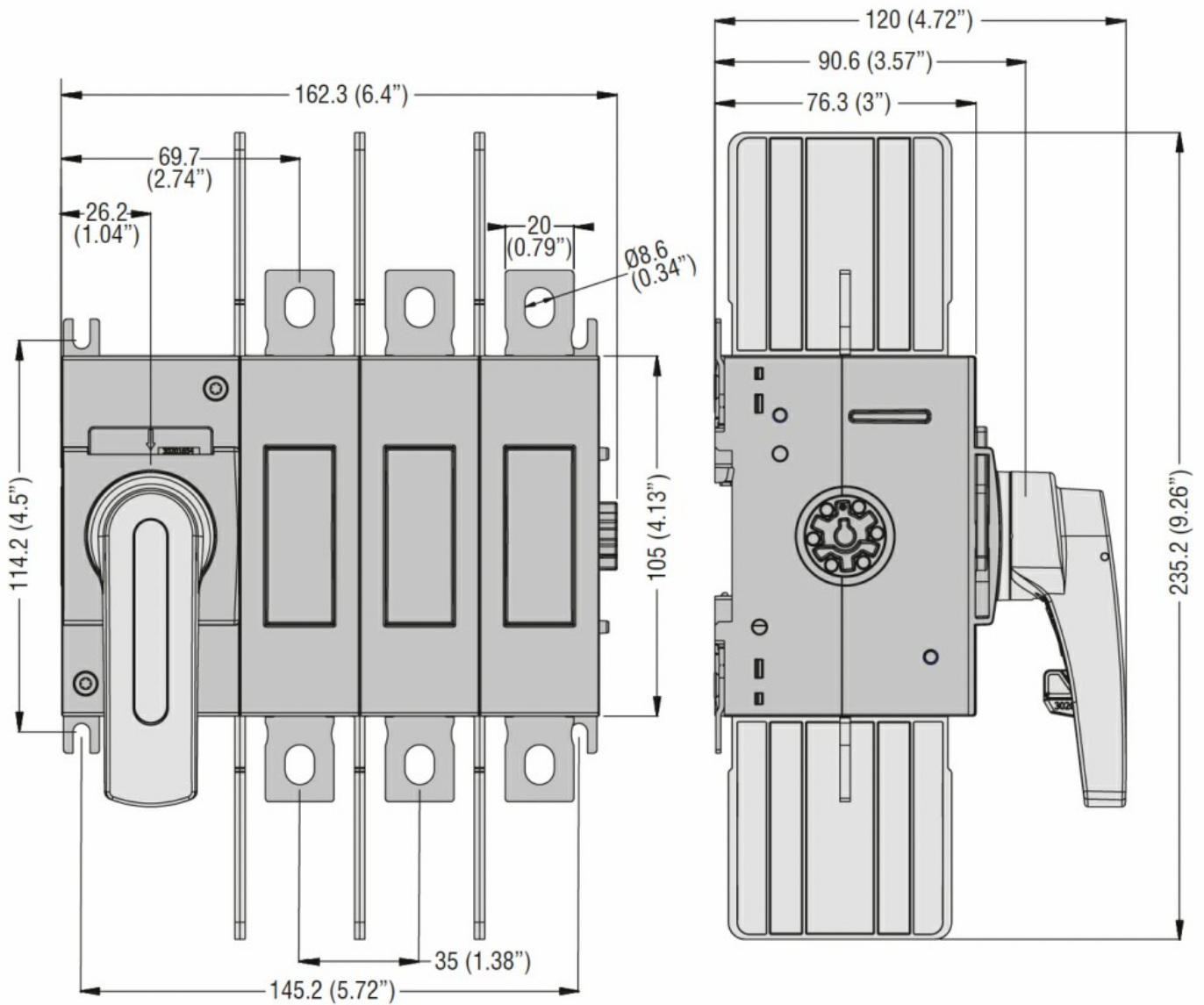
**UL technical data**

UL Standard	UL98
General purpose current rating	A 100
Operating voltage max	V 600
Horsepower/FLA current three phase motor	240V HP/A 30/80 480V HP/A 75/96 600V HP/A 100/99
Short circuit rating	kA rms 200
Short circuit rating with fuse	Class/A J/100
UL Terminal kit lugs	GLX500 - GLX501
Minimum enclosure dimensions at rated current	mm mm 400 x 250 x 150 in in 15.8 x 9.9 x 5.9

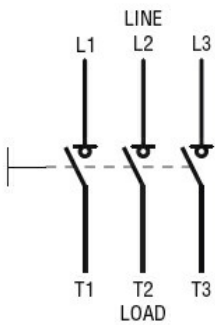
**Ambient conditions**

Operating temperature	min °C -25 max °C +55
Storage temperature	min °C -40 max °C +70
Max altitude	m 3000

**Dimensions**



Wiring diagrams



Certifications and compliance

Compliance

IEC/EN 60947-1  
 IEC/EN 60947-3

Certifications

cULus

ETIM classification

ETIM 8.0

EC000216 -  
Switch  
disconnector