



Contact characteristics

IEC Conventional free air thermal current $I_{th} \leq 40^\circ\text{C}$	A	200
Rated insulation voltage U_i IEC/EN	V	1000
Rated impulse withstand voltage U_{imp}	kV	12
Operating current I_e		
AC-31B		
	400V	A 200
	500V	A 200
	690V	A 200
AC-32B		
	400V	A 200
	500V	A 200
	690V	A 200
AC-33B		
	400V	A 200
	500V	A 200
	690V	A 200
Power dissipation per pole max	W	4
Rated operational power AC23A		
	400V	kW 110
	690V	kW 200
Reactive power for control of capacitors at		
Rated short time current (1s) I_{cw} (rms)	kA	6
Rated short time current (0.3s) I_{cw} (rms)	kA	12
Conditional short-circuit current (rms)	kA	100
Short-circuit protection with fuse	Class/A	J/200
Making capacity AC23A 400V	A	2000
Breaking capacity AC23A 400V	A	1600
Mechanical life	cycles	20000

Mechanical features

Operating position	normal allowable	Vertical plan Any
Fixing		Screw
Terminals	type	M8 x 20
Tightening torque for terminals		
	min	Nm 15
	max	Nm 22
	min	lbin 132
	max	lbin 194
Conductor section		
	IEC min	mm ² 70
	IEC max	mm ² 85
	AWG/kcmil min	00

AWG/kcmil max kcmil 400

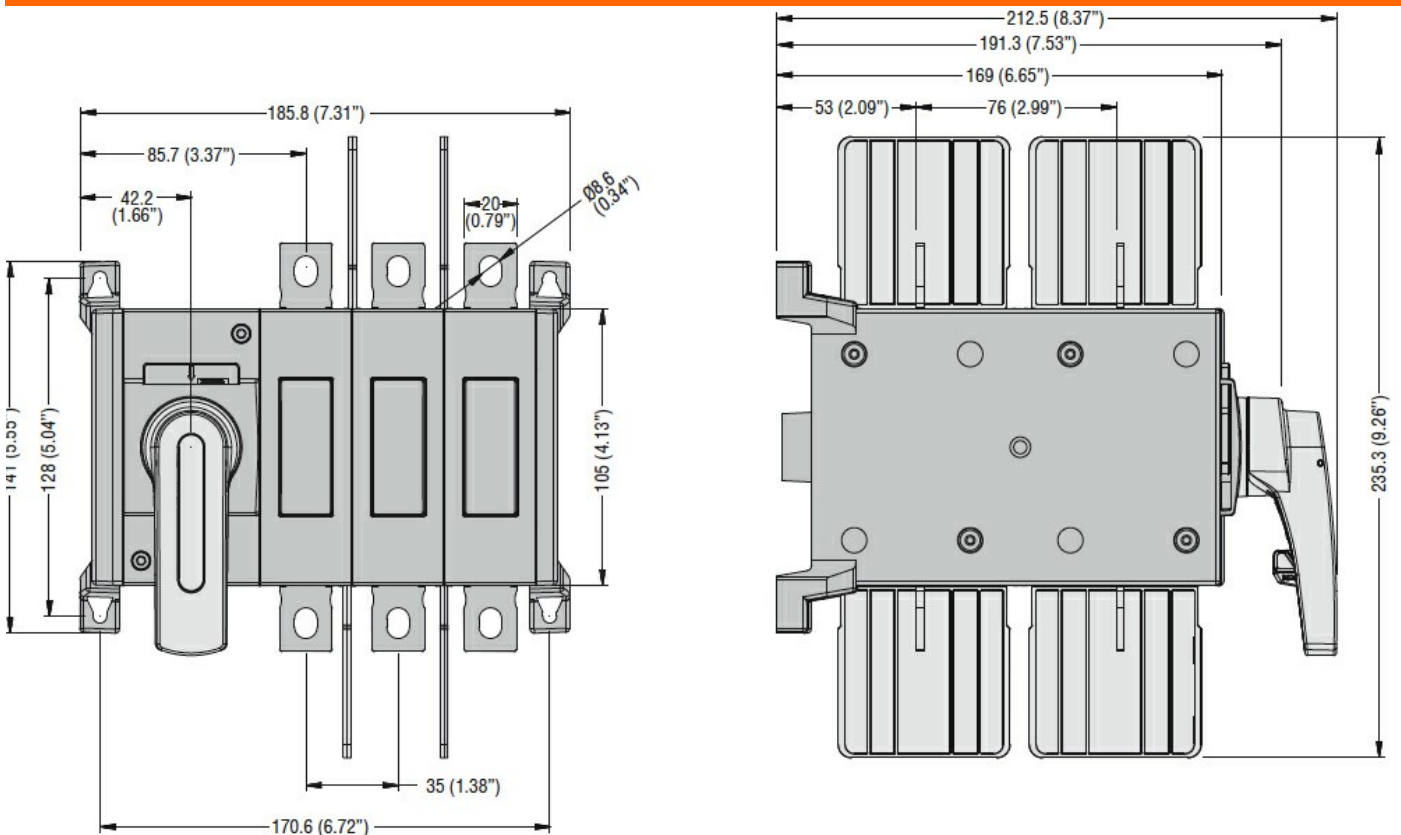
UL technical data

UL Standard			UL1008
General purpose current rating		A	200
Operating voltage max		V	600
Horsepower/FLA current three phase motor			
	240V	HP/A	75/192
	480V	HP/A	150/180
	600V	HP/A	200/192
Short circuit rating		kA rms	200
Short circuit rating with fuse		Class/A	J/200
UL Terminal kit lugs			GLX500 - GLX501
Minimum enclosure dimensions at rated current			
	mm	mm	400 x 250 x 150
	in	in	15.8 x 9.9 x 5.9

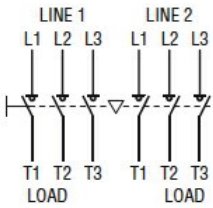
Ambient conditions

Operating temperature			
	min	°C	-25
	max	°C	+55
Storage temperature			
	min	°C	-40
	max	°C	+70
Max altitude		m	3000

Dimensions



Wiring diagrams



Certifications and compliance

Compliance

IEC/EN 60947-1
IEC/EN 60947-3
IEC/EN 60947-6-1

Certifications

cULus

ETIM classification

ETIM 8.0

EC000216 -
 Switch
 disconnecter