



Contact characteristics

IEC Conventional free air thermal current $I_{th} \leq 40^\circ\text{C}$	A	315
Rated insulation voltage U_i IEC/EN	V	1000
Operating current I_e		
DC21B		
	600V	A 315
	800V	A 315
	1000V	A 250
DCPV1		
	600V	A 315
	800V	A 315

Mechanical features

Operating position	normal allowable	Vertical plan Any
Fixing		Screw / DIN rail 35mm
Terminals	type	M8 x 25
Tightening torque for terminals		
	min	Nm 15
	max	Nm 22
	min	Ibin 132
	max	Ibin 194
Conductor section		
	IEC min	mm ² 70
	IEC max	mm ² 185
	AWG/kcmil min	00
	AWG/kcmil max	kcmil 400

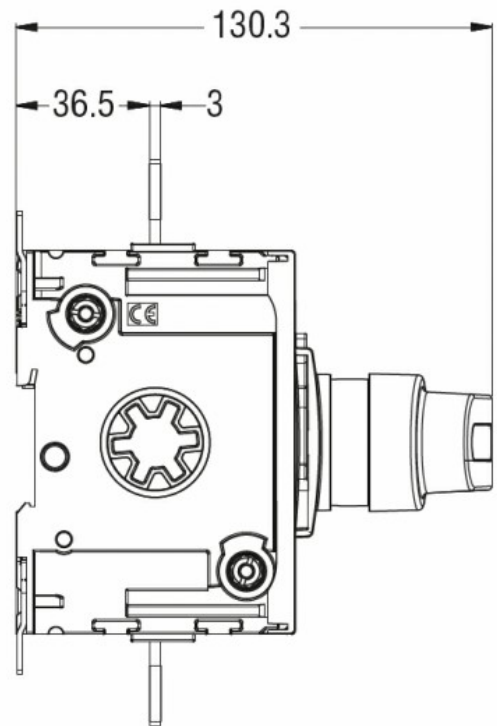
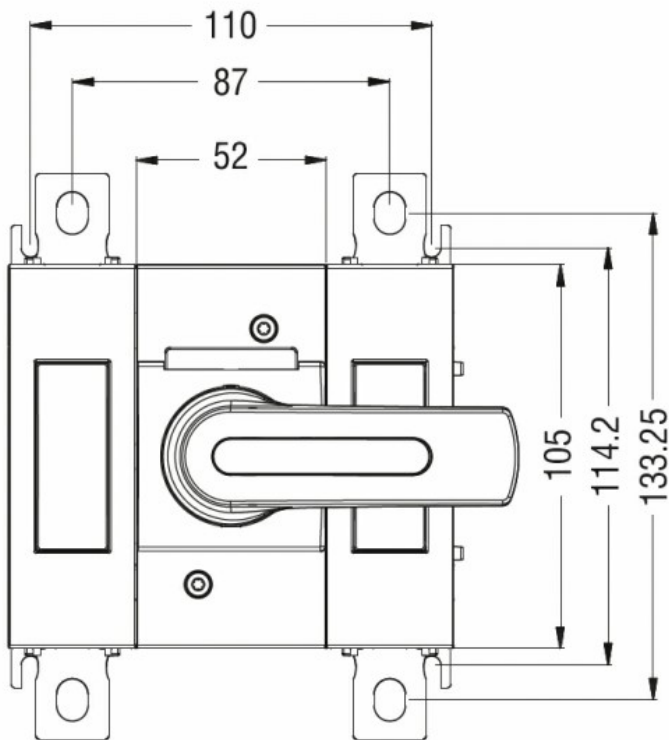
Ambient conditions

Operating temperature		
	min	$^\circ\text{C}$ -25
	max	$^\circ\text{C}$ +55
Storage temperature		
	min	$^\circ\text{C}$ -40
	max	$^\circ\text{C}$ +70
Max altitude	m	3000

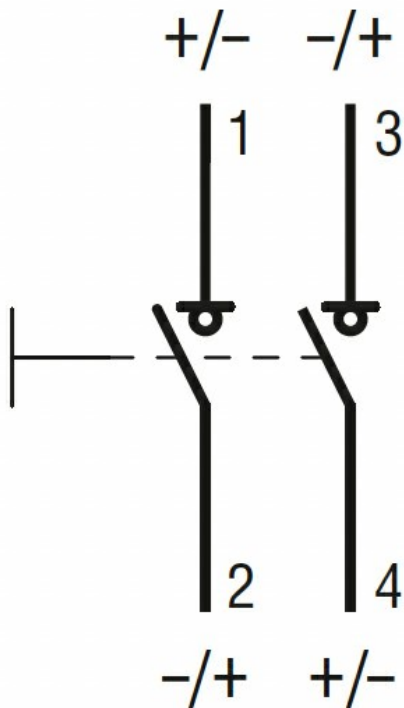
Resistance & Protection

Pollution degree	3
------------------	---

Dimensions



Wiring diagrams



Certifications and compliance

Compliance

IEC/EN/BS 60947-1

IEC/EN/BS 60947-3

Certifications

CE

ETIM classification

ETIM 8.0

EC000216 -
Switch
disconnecter