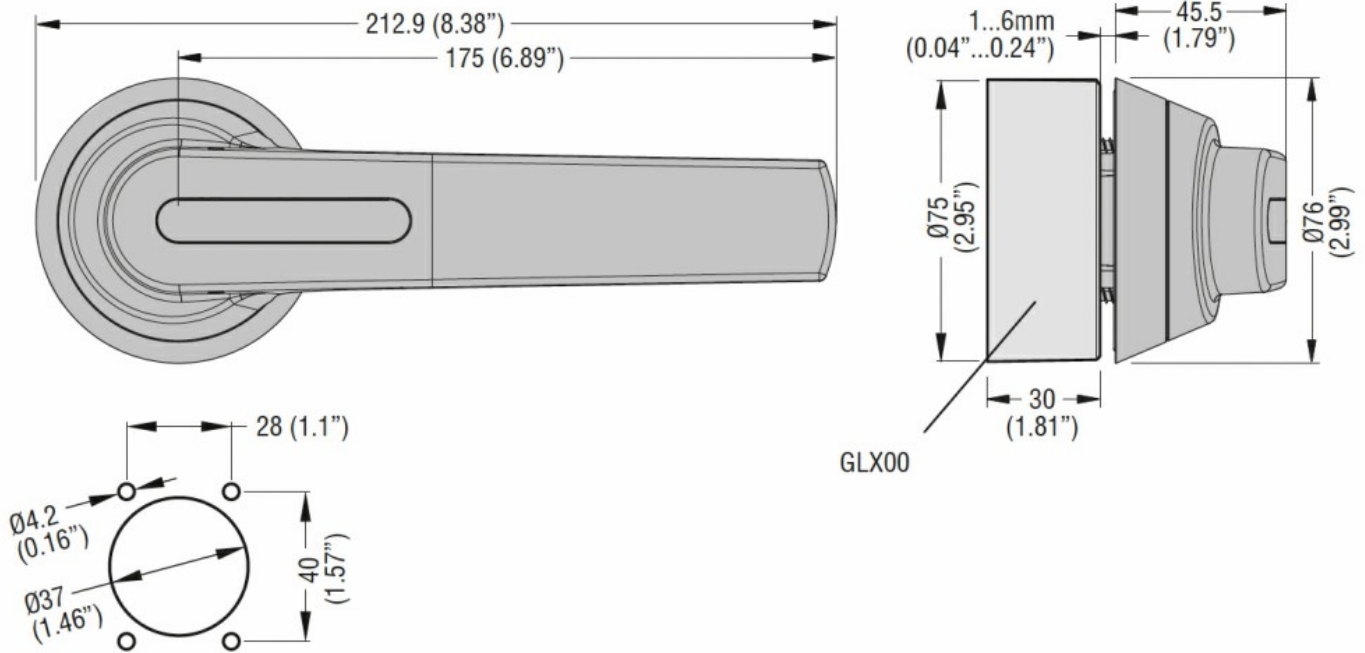




## Dimensions



## Certifications and compliance

### Compliance

IEC/EN 60947-1

IEC/EN 60947-3

### Certifications

cULus

## ETIM classification

ETIM 8.0

EC000230 -  
Door coupling  
handle for  
switchgear