



Contact characteristics

IEC Conventional free air thermal current $I_{th} \leq 40^{\circ}C$	A	315
Rated insulation voltage U_i IEC/EN	V	1000
Rated impulse withstand voltage U_{imp}	kV	12
Operating current I_e		
AC21A	400V	A 315
	500V	A 315
	690V	A 315
AC22A	400V	A 315
	500V	A 315
	690V	A 315
AC23A	400V	A 315
	500V	A 250
	690V	A 250
Power dissipation per pole max	W	6.5
Rated operational power AC23A	400V	kW 140
	690V	kW 250
Reactive power for control of capacitors at		
Conditional short-circuit current (rms)	kA	100
Short-circuit protection with fuse	Class/A	gG/315
Making capacity AC23A 400V	A	2500
Breaking capacity AC23A 400V	A	2000
Mechanical life	cycles	10000
Electrical life AC21A	cycles	0

Mechanical features

Operating position	normal allowable	Vertical plan Any
Terminals	type height	M8 x 25 0
Tightening torque for terminals	min max min max	Nm 15 Nm 22 lbin 132 lbin 194
Conductor section	IEC min IEC max AWG/kcmil min AWG/kcmil max	mm ² 70 mm ² 185 00 kcmil 400

Ambient conditions

Operating temperature

min	°C	-25
max	°C	+55

Storage temperature

min	°C	-40
max	°C	+70

Max altitude

m	3000
---	------

Resistance & Protection

Frontal IP degree

IP65

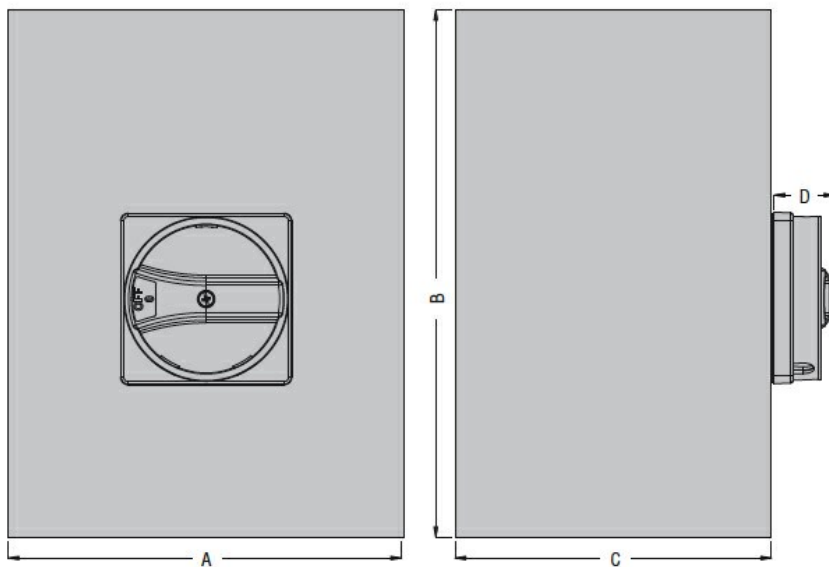
IP degree of protection

IP65

Pollution degree

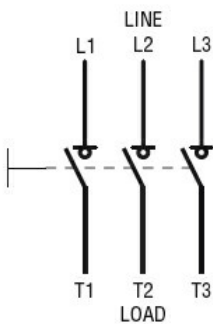
3

Dimensions



Type	A	B	C	D
GLZM0160...GLZM0315...	300 (11.81")	400 (15.75")	250 (9.84")	45,7 (1.80")

Wiring diagrams



Certifications and compliance

Compliance

IEC/EN 60947-1

IEC/EN 60947-3

ETIM classification

ETIM 8.0

EC000216 -
Switch
disconnecter