

**General characteristics**

|                   |  |
|-------------------|--|
| Switching diagram | 53 - Changeover switch 3 poles - 2 speed motor starting with separate windings |
| N° of elements    | 3  |
| Mounting form     | U - Front mounting with black handle   |

**Contact characteristics**

|   |          |    |      |
|---|----------|----|------|
| Rated insulation voltage $U_i$                            | IEC/EN   | V  | 690  |
|   | UL/CSA   | V  | 600  |
| Rated impulse withstand voltage $U_{imp}$                 |          | kV | 8    |
| Conventional free air thermal current $I_{th}$            | IEC/EN   | A  | 200  |
|   | UL/CSA   | A  | 200  |
| Rated operational voltage                                 |          | V  | 690  |
| Rated operational impulse voltage                         |          | kV | 6    |
| Maximum fuse size for short-circuit protection $I_n$ (gG) | 10kA     | A  | 200  |
|   | 15kA     | A  | 200  |
| Rated short time current $I_{cw}$                         | 1s       | kA | 3300 |
|   |          |    |      |
| Operational current $I_e$ IEC/EN<br>AC1/AC21A             |          | A  | 200  |
|   |          |    |      |
| Rated operational power in AC<br>Three-phase AC-3         | 220/230V | kW | 27.5 |
|   | 380/440V | kW | 47   |
| Rated operational current in DC<br>DC21A                  | 48V      | A  | 200  |
|   | 60V      | A  | 200  |
|   | 110V     | A  | 35   |
|   | 220V     | A  | 2.5  |
|   | 440V     | A  | 0.9  |
| Power dissipation   |          | W  | 26   |

**Mechanical features**

|                                       |                          |
|---------------------------------------|--------------------------|
| Terminals screw                       | M10                      |
| Tightening torque for terminals max   | Nm 10                    |
| Conductor size<br>AWG - Rigid cable   | Max AWG 1X3              |
|                                       |                          |
| Conductor size (IEC) - Flexible cable | Max AWG 0                |
|                                       |                          |
| Conductor size (IEC) - Rigid cable    | Max mm <sup>2</sup> 1X95 |
|                                       |                          |

Mechanical life cycles 2X10<sup>5</sup>

**UL technical data**

Motor power for direct-on-line control

for three-phase motor

|      |    |     |
|------|----|-----|
| 120V | HP | 30  |
| 240V | HP | 50  |
| 480V | HP | 100 |
| 600V | HP | 75  |

for single-phase motor

|      |    |    |
|------|----|----|
| 120V | HP | 15 |
| 240V | HP | 30 |

**Ambient conditions**

Temperature

Operating temperature

|     |    |     |
|-----|----|-----|
| min | °C | -25 |
| max | °C | +55 |

Storage temperature

|     |    |     |
|-----|----|-----|
| min | °C | -40 |
| max | °C | +70 |

**Resistance & Protection**

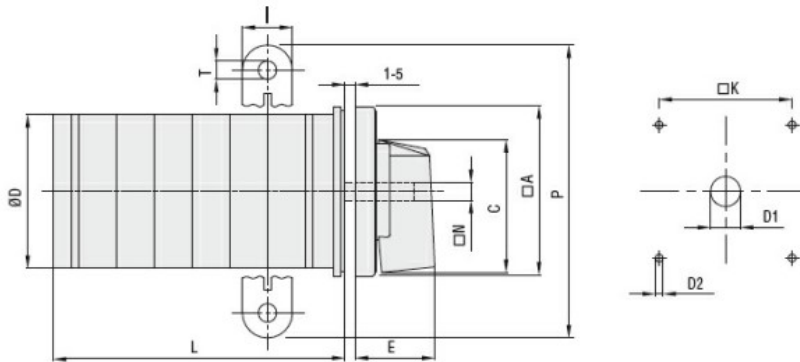
Frontal IP degree

IP40

Terminals IP degree

IP00

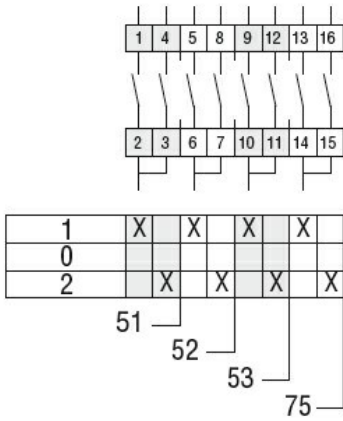
**Dimensions**



| Series       | Dimensions |     |     |     |     |    |    |     |    |     |      | L Number of elements ① |     |     |     |     |     |     |     |     |     |     |     |
|--------------|------------|-----|-----|-----|-----|----|----|-----|----|-----|------|------------------------|-----|-----|-----|-----|-----|-----|-----|-----|-----|-----|-----|
|              | □A         | C   | ØD  | ØD1 | ØD2 | E  | I  | □K  | □N | P   | ØT   | 1                      | 2   | 3   | 4   | 5   | 6   | 7   | 8   | 9   | 10  | 11  | 12  |
| <b>GN200</b> | 132        | 104 | 120 | 16  | 5.3 | 56 | 20 | 104 | 10 | 140 | 10.5 | 77                     | 107 | 136 | 166 | 196 | 226 | 284 | 314 | 343 | 373 | 402 | 432 |
| <b>GN315</b> | 132        | 104 | 120 | 16  | 5.3 | 56 | 20 | 104 | 10 | 145 | 10.5 | 77                     | 107 | 136 | 166 | 196 | 226 | 284 | 314 | 343 | 373 | 402 | 432 |

① For devices with 6 or more elements please consult Technical support, see contact details on inside front cover.

**Wiring diagrams**



### Certifications and compliance

#### Compliance

IEC/EN/BS 60947-1  
IEC/EN/BS 60947-3  
IEC/EN/BS 60947-5-1  
UL60947-4-1

#### Certificates

UR

### ETIM classification

ETIM 8.0

EC001029 -  
Selector switch,  
complete