

General characteristics

| | |
|-------------------|--------------------------------------|
| Switching diagram | 93 - Multi-step 1-2-3 3 poles |
| N° of elements | 5 |
| Mounting form | U - Front mounting with black handle |

Contact characteristics

| | | | |
|---|----------|----|------|
| Rated insulation voltage U_i | IEC/EN | V | 690 |
| | UL/CSA | V | 600 |
| Rated impulse withstand voltage U_{imp} | | kV | 8 |
| Conventional free air thermal current I_{th} | IEC/EN | A | 200 |
| | UL/CSA | A | 200 |
| Rated operational voltage | | V | 690 |
| Rated operational impulse voltage | | kV | 6 |
| Maximum fuse size for short-circuit protection I_n (gG) | 10kA | A | 200 |
| | 15kA | A | 200 |
| Rated short time current I_{cw} | 1s | kA | 3300 |
| | | | |
| Operational current I_e IEC/EN AC1/AC21A | | A | 200 |
| | | | |
| Rated operational power in AC Three-phase AC-3 | 220/230V | kW | 27.5 |
| | 380/440V | kW | 47 |
| Rated operational current in DC DC21A | 48V | A | 200 |
| | 60V | A | 200 |
| | 110V | A | 35 |
| | 220V | A | 2.5 |
| | 440V | A | 0.9 |
| Power dissipation | | W | 26 |

Mechanical features

| | | | | |
|-------------------------------------|---------------------------------------|--------|-------------------|------|
| Terminals screw | M10 | | | |
| Tightening torque for terminals max | Nm 10 | | | |
| Conductor size | AWG - Rigid cable | Max | AWG | 1X3 |
| | AWG - Flexible cable | Max | AWG | 0 |
| | Conductor size (IEC) - Flexible cable | Max | mm ² | 1X95 |
| | Conductor size (IEC) - Rigid cable | Max | mm ² | 1X95 |
| | Mechanical life | cycles | 2X10 ⁵ | |

UL technical data

Motor power for direct-on-line control
for three-phase motor

| | | |
|------|----|-----|
| 120V | HP | 30 |
| 240V | HP | 50 |
| 480V | HP | 100 |
| 600V | HP | 75 |

for single-phase motor

| | | |
|------|----|----|
| 120V | HP | 15 |
| 240V | HP | 30 |

Ambient conditions

Temperature

Operating temperature

| | | |
|-----|----|-----|
| min | °C | -25 |
| max | °C | +55 |

Storage temperature

| | | |
|-----|----|-----|
| min | °C | -40 |
| max | °C | +70 |

Resistance & Protection

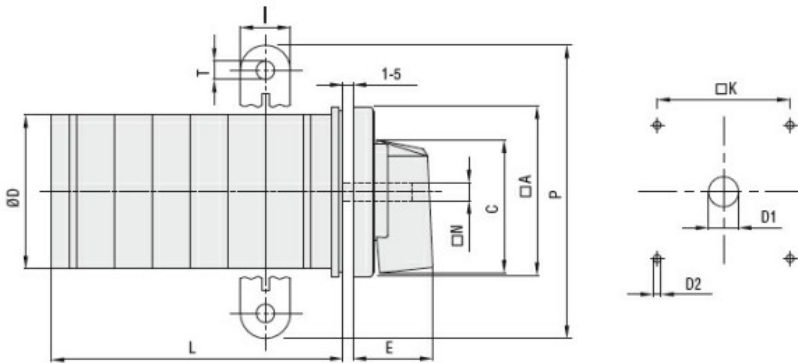
Frontal IP degree

IP40

Terminals IP degree

IP00

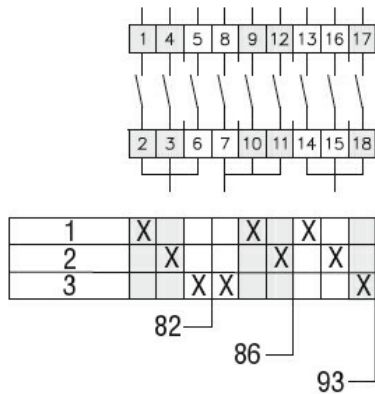
Dimensions



| Series | Dimensions | | | | | | | | | | | L Number of elements ① | | | | | | | | | | | |
|--------------|------------|-----|-----|-----|-----|----|----|-----|----|-----|------|------------------------|-----|-----|-----|-----|-----|-----|-----|-----|-----|-----|-----|
| | □A | C | ØD | ØD1 | ØD2 | E | l | □K | □N | P | ØT | 1 | 2 | 3 | 4 | 5 | 6 | 7 | 8 | 9 | 10 | 11 | 12 |
| GN200 | 132 | 104 | 120 | 16 | 5.3 | 56 | 20 | 104 | 10 | 140 | 10.5 | 77 | 107 | 136 | 166 | 196 | 226 | 284 | 314 | 343 | 373 | 402 | 432 |
| GN315 | 132 | 104 | 120 | 16 | 5.3 | 56 | 20 | 104 | 10 | 145 | 10.5 | 77 | 107 | 136 | 166 | 196 | 226 | 284 | 314 | 343 | 373 | 402 | 432 |

① For devices with 6 or more elements please consult Technical support, see contact details on inside front cover.

Wiring diagrams



Certifications and compliance

Compliance

IEC/EN/BS 60947-1

IEC/EN/BS 60947-3

IEC/EN/BS 60947-5-1

UL60947-4-1

Certificates

UR

ETIM classification

ETIM 8.0

EC001029 -
Selector switch,
complete