



### General characteristics

Switching diagram	03 - ON/OFF spring return switch 3 poles
N° of elements	2
Mounting form	O - Rear mounting with black handle

### Contact characteristics

Rated insulation voltage $U_i$	IEC/EN	V	690
	UL/CSA	V	600
Rated impulse withstand voltage $U_{imp}$		kV	8
Conventional free air thermal current $I_{th}$	IEC/EN	A	315
	UL/CSA	A	255
Rated operational voltage		V	690
Rated operational impulse voltage		kV	6
Maximum fuse size for short-circuit protection $I_n$ (gG)	10kA	A	315
	15kA	A	315
Rated short time current $I_{cw}$	1s	kA	5200
Operational current $I_e$ IEC/EN AC1/AC21A		A	315
Rated operational power in AC Three-phase AC-3	220/230V	kW	37
	380/440V	kW	55
	500/690V	kW	69
Single-phase AC-3	110V	kW	11
	220/230V	kW	22
	380/440V	kW	30
Rated operational current in DC DC21A	48V	A	200
	60V	A	200
	110V	A	35
	220V	A	2.5
	440V	A	0.9
Power dissipation		W	64.5

### Mechanical features

Terminals screw	M10
Tightening torque for terminals max	Nm 10

**Conductor size**

AWG - Rigid cable	Max	AWG	1XMCM350
AWG - Flexible cable	Max	AWG	1XMCM350
Conductor size (IEC) - Flexible cable	Max	mm <sup>2</sup>	1X185
Conductor size (IEC) - Rigid cable	Max	mm <sup>2</sup>	1X185
Mechanical life		cycles	2X10 <sup>5</sup>

**UL technical data**

Motor power for direct-on-line control

for three-phase motor	120V	HP	30
	240V	HP	50
	480V	HP	100
	600V	HP	75
for single-phase motor	120V	HP	15
	240V	HP	30

**Ambient conditions**

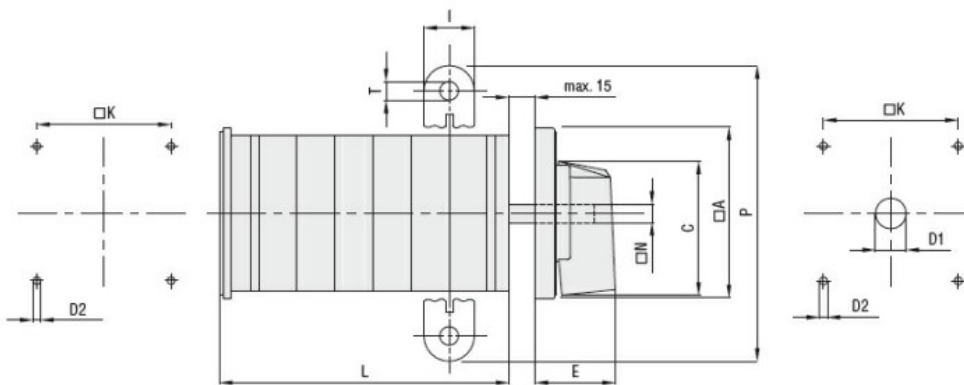
Temperature

Operating temperature	min	°C	-25
	max	°C	+55
Storage temperature	min	°C	-40
	max	°C	+70

**Resistance & Protection**

Frontal IP degree	IP40
Terminals IP degree	IP00

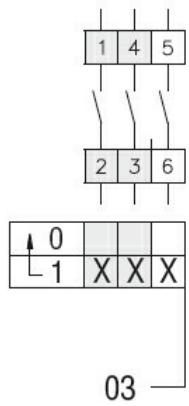
**Dimensions**



Series	Dimensions									L Number of elements ①											
	□A	C	ØD2	E	I	□K	□N	P	ØT	1	2	3	4	5	6	7	8	9	10	11	12
GN200	132	104	5.3	56	20	104	10	140	10.5	77	107	136	166	196	226	284	314	343	373	402	432
GN315	132	104	5.3	56	20	104	10	145	10.5	77	107	136	166	196	226	284	314	343	373	402	432

① For devices with 6 or more elements please contact please consult Technical support, see contact details on inside front cover.

**Wiring diagrams**



**Certifications and compliance**

Compliance

IEC/EN/BS 60947-1
IEC/EN/BS 60947-3
IEC/EN/BS 60947-5-1
UL60947-4-1

Certificates

UR

**ETIM classification**

ETIM 8.0

EC001029 -  
Selector switch,  
complete