

### General characteristics

Switching diagram	12 - Star-delta motor starter switch
N° of elements	4
Mounting form	O - Rear mounting with black handle

### Contact characteristics

Rated insulation voltage $U_i$	IEC/EN	V	690
	UL/CSA	V	600
Rated impulse withstand voltage $U_{imp}$		kV	8
Conventional free air thermal current $I_{th}$	IEC/EN	A	315
	UL/CSA	A	255
Rated operational voltage		V	690
Rated operational impulse voltage		kV	6
Maximum fuse size for short-circuit protection $I_n$ (gG)	10kA	A	315
	15kA	A	315
Rated short time current $I_{cw}$	1s	kA	5200
Operational current $I_e$ IEC/EN AC1/AC21A		A	315
Rated operational power in AC Three-phase AC-3	220/230V	kW	37
	380/440V	kW	55
	500/690V	kW	69
	Single-phase AC-3		
	110V	kW	11
	220/230V	kW	22
	380/440V	kW	30
Rated operational current in DC DC21A	48V	A	200
	60V	A	200
	110V	A	35
	220V	A	2.5
	440V	A	0.9
Power dissipation		W	64.5

### Mechanical features

Terminals screw	M10			
Tightening torque for terminals max	Nm 10			
Conductor size	AWG - Rigid cable	Max	AWG	1XMCM350
	AWG - Flexible cable	Max	AWG	1XMCM350
	Conductor size (IEC) - Flexible cable	Max	mm <sup>2</sup>	1X185

Conductor size (IEC) - Rigid cable

	Max	mm <sup>2</sup>	1X185
Mechanical life		cycles	2X10 <sup>5</sup>

UL technical data

Motor power for direct-on-line control

for three-phase motor

120V	HP	30
240V	HP	50
480V	HP	100
600V	HP	75

for single-phase motor

120V	HP	15
240V	HP	30

Ambient conditions

Temperature

Operating temperature

min	°C	-25
max	°C	+55

Storage temperature

min	°C	-40
max	°C	+70

Resistance & Protection

Frontal IP degree

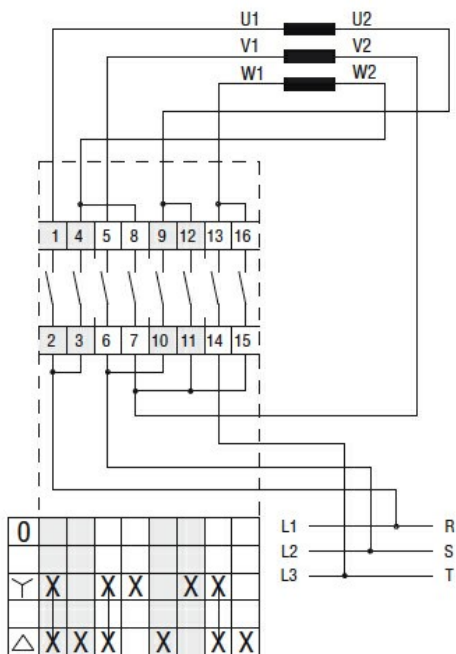
IP40

Terminals IP degree

IP00

Dimensions

Wiring diagrams



Certifications and compliance

Compliance

IEC/EN/BS 60947-1

IEC/EN/BS 60947-3

IEC/EN/BS 60947-5-1

UL60947-4-1

Certificates

UR

ETIM classification

ETIM 8.0

EC001029 -  
Selector switch,  
complete