

### General characteristics

|                   |  |
|-------------------|--|
| Switching diagram | 135 - Multi-step<br>0-1-2 3 poles          |
| N° of elements    | 3  |
| Mounting form     | U - Front<br>mounting with<br>black handle |

### Contact characteristics

|   |                   |    |      |
|---|-------------------|----|------|
| Rated insulation voltage $U_i$                            | IEC/EN            | V  | 690  |
|   | UL/CSA            | V  | 600  |
| Rated impulse withstand voltage $U_{imp}$                 |                   | kV | 8    |
| Conventional free air thermal current $I_{th}$            | IEC/EN            | A  | 315  |
|   | UL/CSA            | A  | 255  |
| Rated operational voltage                                 |                   | V  | 690  |
| Rated operational impulse voltage                         |                   | kV | 6    |
| Maximum fuse size for short-circuit protection $I_n$ (gG) | 10kA              | A  | 315  |
|   | 15kA              | A  | 315  |
| Rated short time current $I_{cw}$                         | 1s                | kA | 5200 |
|   |                   |    |      |
| Operational current $I_e$ IEC/EN<br>AC1/AC21A             |                   | A  | 315  |
|   |                   |    |      |
| Rated operational power in AC<br>Three-phase AC-3         | 220/230V          | kW | 37   |
|   | 380/440V          | kW | 55   |
|   | 500/690V          | kW | 69   |
|   | Single-phase AC-3 |    |      |
|   | 110V              | kW | 11   |
|   | 220/230V          | kW | 22   |
|   | 380/440V          | kW | 30   |
| Rated operational current in DC<br>DC21A                  | 48V               | A  | 200  |
|   | 60V               | A  | 200  |
|   | 110V              | A  | 35   |
|   | 220V              | A  | 2.5  |
|   | 440V              | A  | 0.9  |
|   |                   |    |      |
| Power dissipation   |                   | W  | 64.5 |

### Mechanical features

|                                     |                                       |     |                 |          |
|-------------------------------------|---------------------------------------|-----|-----------------|----------|
| Terminals screw                     | M10                                   |     |                 |          |
| Tightening torque for terminals max | Nm 10                                 |     |                 |          |
| Conductor size                      | AWG - Rigid cable                     | Max | AWG             | 1XMCM350 |
|                                     | AWG - Flexible cable                  | Max | AWG             | 1XMCM350 |
|                                     | Conductor size (IEC) - Flexible cable | Max | mm <sup>2</sup> | 1X185    |
|                                     | Conductor size (IEC) - Rigid cable    |     |                 |          |
|                                     |                                       |     |                 |          |

|                 |     |                 |                   |
|-----------------|-----|-----------------|-------------------|
| Mechanical life | Max | mm <sup>2</sup> | 1X185             |
|                 |     | cycles          | 2X10 <sup>5</sup> |

**UL technical data**

Motor power for direct-on-line control

for three-phase motor

|      |    |     |
|------|----|-----|
| 120V | HP | 30  |
| 240V | HP | 50  |
| 480V | HP | 100 |
| 600V | HP | 75  |

for single-phase motor

|      |    |    |
|------|----|----|
| 120V | HP | 15 |
| 240V | HP | 30 |

**Ambient conditions**

Temperature

Operating temperature

|     |    |     |
|-----|----|-----|
| min | °C | -25 |
| max | °C | +55 |

Storage temperature

|     |    |     |
|-----|----|-----|
| min | °C | -40 |
| max | °C | +70 |

**Resistance & Protection**

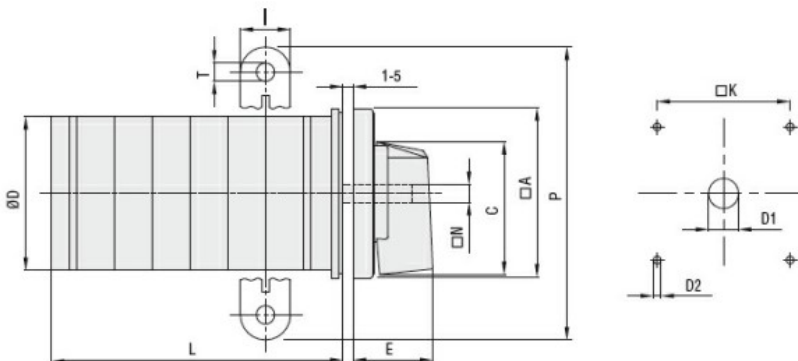
Frontal IP degree

IP40

Terminals IP degree

IP00

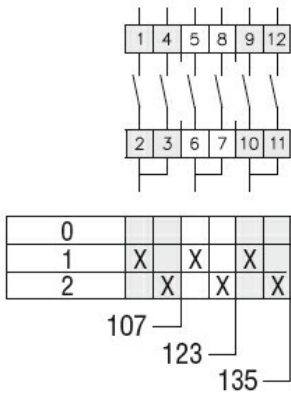
**Dimensions**



| Series | Dimensions |     |     |     |     |    |    |     |    |     | L Number of elements ① |    |     |     |     |     |     |     |     |     |     |     |     |
|--------|------------|-----|-----|-----|-----|----|----|-----|----|-----|------------------------|----|-----|-----|-----|-----|-----|-----|-----|-----|-----|-----|-----|
|        | □A         | C   | ØD  | ØD1 | ØD2 | E  | I  | □K  | □N | P   | ØT                     | 1  | 2   | 3   | 4   | 5   | 6   | 7   | 8   | 9   | 10  | 11  | 12  |
| GN200  | 132        | 104 | 120 | 16  | 5.3 | 56 | 20 | 104 | 10 | 140 | 10.5                   | 77 | 107 | 136 | 166 | 196 | 226 | 284 | 314 | 343 | 373 | 402 | 432 |
| GN315  | 132        | 104 | 120 | 16  | 5.3 | 56 | 20 | 104 | 10 | 145 | 10.5                   | 77 | 107 | 136 | 166 | 196 | 226 | 284 | 314 | 343 | 373 | 402 | 432 |

① For devices with 6 or more elements please consult Technical support, see contact details on inside front cover.

**Wiring diagrams**



### Certifications and compliance

#### Compliance

IEC/EN/BS 60947-1  
IEC/EN/BS 60947-3  
IEC/EN/BS 60947-5-1  
UL60947-4-1

#### Certificates

UR

### ETIM classification

ETIM 8.0

EC001029 -  
Selector switch,  
complete