

General characteristics

Switching diagram	20 - Dahlander motor 2-speed reversing switch
N° of elements	6
Mounting form	L - Metal enclosure with black handle

Contact characteristics

Rated insulation voltage U_i	IEC/EN	V	690
	UL/CSA	V	600
Rated impulse withstand voltage U_{imp}		kV	8
Conventional free air thermal current I_{th}	IEC/EN	A	315
	UL/CSA	A	255
Rated operational voltage		V	690
Rated operational impulse voltage		kV	6
Maximum fuse size for short-circuit protection I_n (gG)	10kA	A	315
	15kA	A	315
Rated short time current I_{cw}	1s	kA	5200
Operational current I_e IEC/EN AC1/AC21A		A	315
Rated operational power in AC Three-phase AC-3	220/230V	kW	37
	380/440V	kW	55
	500/690V	kW	69
	Single-phase AC-3		
	110V	kW	11
	220/230V	kW	22
	380/440V	kW	30
Rated operational current in DC DC21A	48V	A	200
	60V	A	200
	110V	A	35
	220V	A	2.5
	440V	A	0.9
Power dissipation		W	64.5

Mechanical features

Terminals screw	M10			
Tightening torque for terminals max	Nm 10			
Conductor size	AWG - Rigid cable	Max	AWG	1XMCM350
	AWG - Flexible cable	Max	AWG	1XMCM350
	Conductor size (IEC) - Flexible cable	Max	mm ²	1X185

Conductor size (IEC) - Rigid cable

	Max	mm ²	1X185
Mechanical life		cycles	2X10 ⁵

UL technical data

Motor power for direct-on-line control

for three-phase motor

120V	HP	30
240V	HP	50
480V	HP	100
600V	HP	75

for single-phase motor

120V	HP	15
240V	HP	30

Ambient conditions

Temperature

Operating temperature

min	°C	-25
max	°C	+55

Storage temperature

min	°C	-40
max	°C	+70

Resistance & Protection

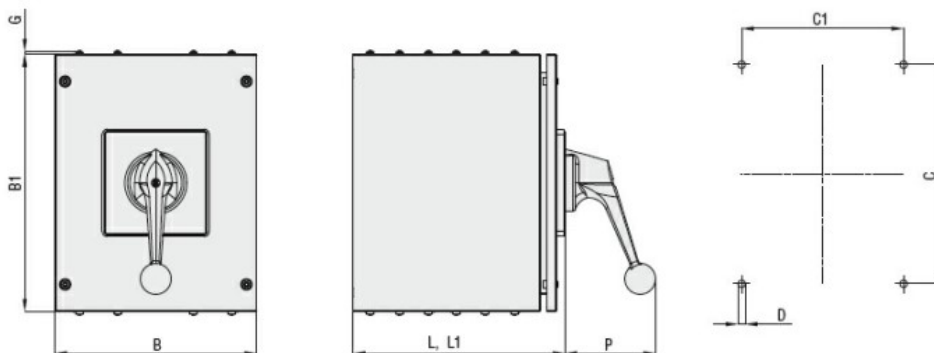
Frontal IP degree

IP54

Terminals IP degree

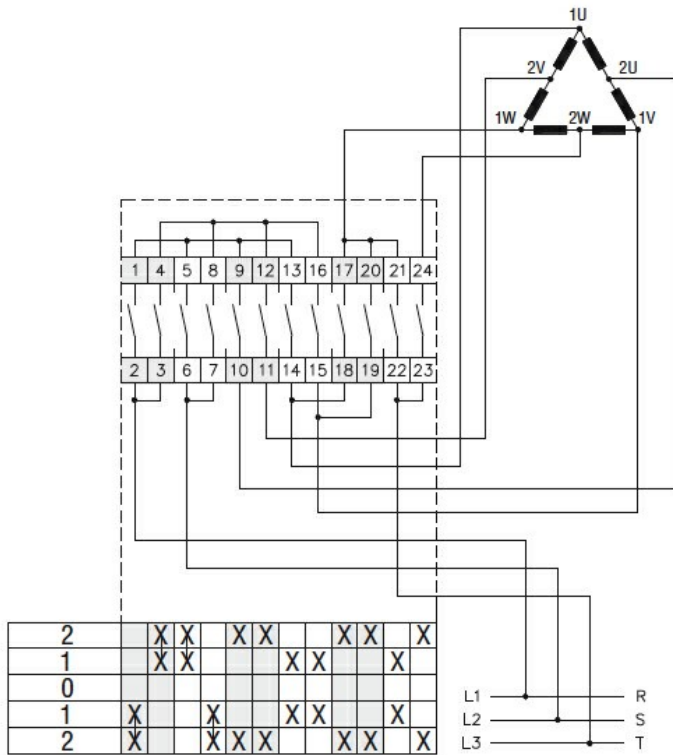
IP00

Dimensions



Series	Enclosure size	Number of elements		Dimensions									Protection degree
		L	L1	L	L1	B	B1	C	C1	D	G	P	
GN200	250x316	1 - 3	4 - 6	162	252	250	316	270	200	9	4.5	98	IP54
GN315		1 - 3	4 - 6	162	252	250	316	270	200	9	4.5	98	IP54

Wiring diagrams



Certifications and compliance

Compliance

- IEC/EN/BS 60947-1
- IEC/EN/BS 60947-3
- IEC/EN/BS 60947-5-1

ETIM classification

ETIM 8.0

EC001029 -
Selector switch,
complete