

General characteristics

Switching diagram	26 - 3-phase motor reversing switch with spring return
N° of elements	3
Mounting form	O - Rear mounting with black handle

Contact characteristics

Rated insulation voltage Ui	IEC/EN	V	690
	UL/CSA	V	600
Rated impulse withstand voltage Uimp		kV	8
Conventional free air thermal current Ith	IEC/EN	A	315
	UL/CSA	A	255
Rated operational voltage		V	690
Rated operational impulse voltage		kV	6
Maximum fuse size for short-circuit protection In (gG)	10kA	A	315
	15kA	A	315
Rated short time current Icw	1s	kA	5200
Operational current Ie IEC/EN AC1/AC21A		A	315
Rated operational power in AC Three-phase AC-3	220/230V	kW	37
	380/440V	kW	55
	500/690V	kW	69
	Single-phase AC-3		
	110V	kW	11
	220/230V	kW	22
	380/440V	kW	30
Rated operational current in DC DC21A	48V	A	200
	60V	A	200
	110V	A	35
	220V	A	2.5
	440V	A	0.9
Power dissipation		W	64.5

Mechanical features

Terminals screw	M10	
Tightening torque for terminals max	Nm 10	
Conductor size AWG - Rigid cable	Max AWG	1XMCM350
AWG - Flexible cable	Max AWG	1XMCM350
Conductor size (IEC) - Flexible cable		

Conductor size (IEC) - Rigid cable	Max	mm ²	1X185
Mechanical life	Max	mm ²	1X185
		cycles	2X10 ⁵

UL technical data

Motor power for direct-on-line control for three-phase motor	120V	HP	30
	240V	HP	50
	480V	HP	100
	600V	HP	75
for single-phase motor	120V	HP	15
	240V	HP	30

Ambient conditions

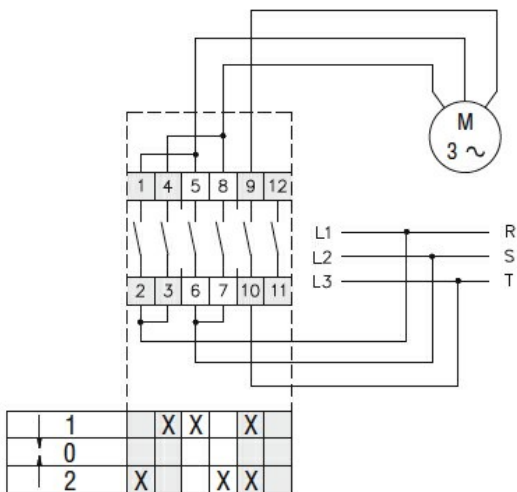
Temperature	Operating temperature	min	°C	-25
		max	°C	+55
	Storage temperature	min	°C	-40
		max	°C	+70

Resistance & Protection

Frontal IP degree	IP40
Terminals IP degree	IP00

Dimensions

Wiring diagrams



Certifications and compliance

Compliance	IEC/EN/BS 60947-1
	IEC/EN/BS 60947-3
	IEC/EN/BS 60947-5-1
	UL60947-4-1

Certificates	UR
--------------	----

ETIM classification

ETIM 8.0

EC001029 -
Selector switch,
complete