

**General characteristics**

Switching diagram	84 - Multi-step 1-2-3-4-5 1 pole
N° of elements	3
Mounting form	U - Front mounting with black handle

**Contact characteristics**

Rated insulation voltage $U_i$	IEC/EN	V	690
	UL/CSA	V	600
Rated impulse withstand voltage $U_{imp}$		kV	8
Conventional free air thermal current $I_{th}$	IEC/EN	A	315
	UL/CSA	A	255
Rated operational voltage		V	690
Rated operational impulse voltage		kV	6
Maximum fuse size for short-circuit protection $I_n$ (gG)	10kA	A	315
	15kA	A	315
Rated short time current $I_{cw}$	1s	kA	5200
Operational current $I_e$ IEC/EN AC1/AC21A		A	315
Rated operational power in AC Three-phase AC-3	220/230V	kW	37
	380/440V	kW	55
	500/690V	kW	69
	Single-phase AC-3		
	110V	kW	11
	220/230V	kW	22
380/440V	kW	30	
Rated operational current in DC DC21A	48V	A	200
	60V	A	200
	110V	A	35
	220V	A	2.5
	440V	A	0.9
Power dissipation		W	64.5

**Mechanical features**

Terminals screw	M10	
Tightening torque for terminals max	Nm 10	
Conductor size AWG - Rigid cable	Max AWG	1XMCM350
Conductor size (IEC) - Flexible cable	Max AWG	1XMCM350
Conductor size (IEC) - Flexible cable	Max mm <sup>2</sup>	1X185
Conductor size (IEC) - Rigid cable		

Mechanical life	Max	mm <sup>2</sup>	1X185
		cycles	2X10 <sup>5</sup>

**UL technical data**

Motor power for direct-on-line control			
for three-phase motor	120V	HP	30
	240V	HP	50
	480V	HP	100
	600V	HP	75
for single-phase motor	120V	HP	15
	240V	HP	30

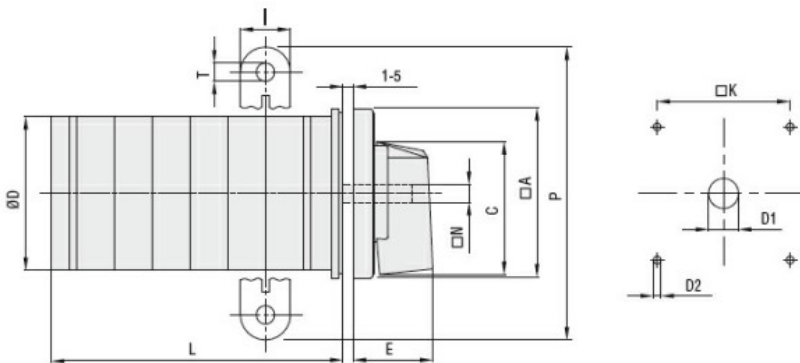
**Ambient conditions**

Temperature			
Operating temperature	min	°C	-25
	max	°C	+55
Storage temperature	min	°C	-40
	max	°C	+70

**Resistance & Protection**

Frontal IP degree	IP40
Terminals IP degree	IP00

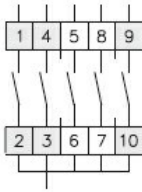
**Dimensions**



Series	Dimensions											L Number of elements ①											
	□A	C	ØD	ØD1	ØD2	E	I	□K	□N	P	ØT	1	2	3	4	5	6	7	8	9	10	11	12
GN200	132	104	120	16	5.3	56	20	104	10	140	10.5	77	107	136	166	196	226	284	314	343	373	402	432
GN315	132	104	120	16	5.3	56	20	104	10	145	10.5	77	107	136	166	196	226	284	314	343	373	402	432

① For devices with 6 or more elements please consult Technical support, see contact details on inside front cover.

**Wiring diagrams**



1	X				
2			X		
3					X
4		X			
5				X	

84

### Certifications and compliance

#### Compliance

CSA C22.2 n° 14

IEC/EN/BS 60947-1

IEC/EN/BS 60947-3

IEC/EN/BS 60947-5-1

IEC/EN/BS 61058-1

UL60947-4-1

#### Certificates

cULus

EAC

### ETIM classification

ETIM 8.0

EC001029 -  
Selector switch,  
complete