

General characteristics

| | |
|-------------------|--|
| Switching diagram | 12 - Star-delta motor starter switch |
| N° of elements | 4 |
| Mounting form | O88 - Rear mounting with red/yellow handle padlockable in 0, door coupling and protection covers |

Contact characteristics

| | | | | |
|---|--------------------|----------|-----------|------|
| Rated insulation voltage U_i | IEC/EN | V | 690 | |
| | UL/CSA | V | 600 | |
| Rated impulse withstand voltage U_{imp} | | kV | 6 | |
| Conventional free air thermal current I_{th} | IEC/EN | A | 16 | |
| | UL/CSA | A | 12 | |
| Rated operational voltage | | V | 440 | |
| Rated operational impulse voltage | | kV | 4 | |
| Maximum fuse size for short-circuit protection I_n (gG) | 10kA | A | 16 | |
| | 15kA | A | 16 | |
| | 25kA | A | 16 | |
| Rated short time current I_{cw} | 1s | kA | 250 | |
| | | | 10/5 mA/V | |
| Conductivity | | | 10/5 mA/V | |
| Operational current I_e IEC/EN | AC1/AC21A | A | 16 | |
| | AC15 | | | |
| | 110V | A | 10 | |
| | 220/230V | A | 8 | |
| | 380/400V | A | 4 | |
| | 660/690V | A | 1.5 | |
| Rated operational power in AC | Three-phase AC-3 | 220/230V | kW | 3.5 |
| | | 380/440V | kW | 4.5 |
| | | 500/690V | kW | 5.5 |
| | Single-phase AC-3 | 110V | kW | 0.55 |
| | | 220/230V | kW | 1.5 |
| | | 380/440V | kW | 2.2 |
| | Three-phase AC23A | 220/230V | kW | 3.7 |
| | | 380/440V | kW | 6.5 |
| | | 500/690V | kW | 7.5 |
| | Single-phase AC23A | 110V | kW | 0.75 |
| | | 220/230V | kW | 1.8 |
| | | 380/440V | kW | 3 |

Rated operational current in DC
DC21A

| | | |
|------|---|------|
| 48V | A | 16 |
| 60V | A | 16 |
| 110V | A | 4 |
| 220V | A | 0.6 |
| 440V | A | 0.25 |

DC23A (poles in series)

| | | |
|------|---|--------|
| 24V | A | 16 (1) |
| 48V | A | 16 (2) |
| 60V | A | 16 (3) |
| 110V | A | 10 (3) |
| 220V | A | 7 (4) |

DC13

| | | |
|------|---|------|
| 24V | A | 16 |
| 48V | A | 14 |
| 60V | A | 10 |
| 110V | A | 1 |
| 220V | A | 0.4 |
| 440V | A | 0.15 |

| | | |
|-------------------|---|-----|
| Power dissipation | W | 0.6 |
|-------------------|---|-----|

Mechanical features

| | | |
|-----------------|--|----|
| Terminals screw | | 3M |
|-----------------|--|----|

| | | |
|-------------------------------------|----|-----|
| Tightening torque for terminals max | Nm | 0.5 |
|-------------------------------------|----|-----|

Conductor size

AWG - Rigid cable

| | | |
|-----|-----|----|
| min | AWG | 20 |
| Max | AWG | 12 |

AWG - Flexible cable

| | | |
|-----|-----|----|
| min | AWG | 20 |
| Max | AWG | 12 |

Conductor size (IEC) - Flexible cable

| | | |
|-----|-----------------|-----|
| min | mm ² | 0.5 |
| Max | mm ² | 2.5 |

Conductor size (IEC) - Rigid cable

| | | |
|-----|-----------------|-----|
| min | mm ² | 0.5 |
| Max | mm ² | 2.5 |

| | | |
|-----------------|--------|-------------------|
| Mechanical life | cycles | 1X10 ⁶ |
|-----------------|--------|-------------------|

UL technical data

Motor power for direct-on-line control

for three-phase motor

| | | |
|------|----|-----|
| 120V | HP | 1.5 |
| 240V | HP | 3 |
| 480V | HP | 5 |
| 600V | HP | 5 |

for single-phase motor

| | | |
|------|----|------|
| 120V | HP | 0.75 |
| 240V | HP | 1 |

Ambient conditions

Temperature

Operating temperature

| | | |
|-----|----|-----|
| min | °C | -25 |
| max | °C | +55 |

Storage temperature

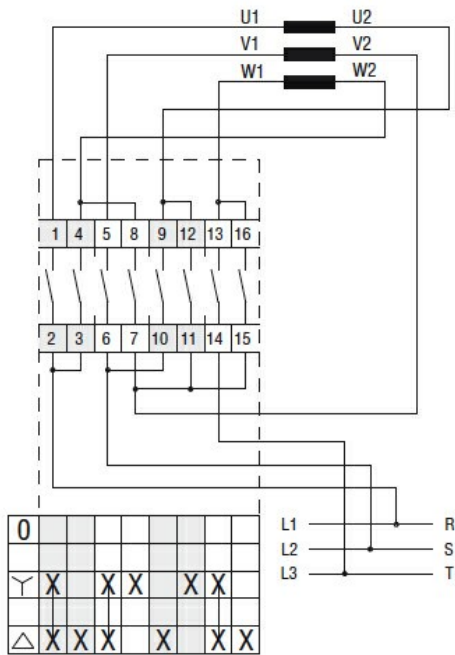
| | | |
|-----|----|-----|
| min | °C | -40 |
| max | °C | +70 |

Resistance & Protection

| | |
|---------------------|------|
| Frontal IP degree | IP65 |
| Terminals IP degree | IP20 |

Dimensions

Wiring diagrams



Certifications and compliance

Compliance

- CSA C22.2 n° 14
- IEC/EN/BS 60947-1
- IEC/EN/BS 60947-3
- IEC/EN/BS 60947-5-1
- IEC/EN/BS 61058-1
- UL60947-4-1

Certificates

- cULus
- EAC

ETIM classification

ETIM 8.0

EC001029 -
Selector switch,
complete