

**General characteristics**

Switching diagram	06 - ON/OFF switch 2 poles
N° of elements	1
Mounting form	U11 - Front mounting with black handle without front plate for hole diam. 22mm fixing

**Contact characteristics**

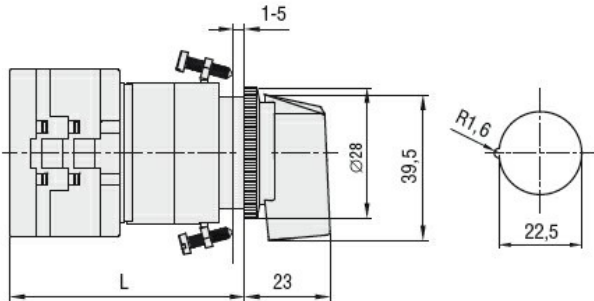
Rated insulation voltage $U_i$	IEC/EN	V	690	
	UL/CSA	V	600	
Rated impulse withstand voltage $U_{imp}$		kV	6	
Conventional free air thermal current $I_{th}$	IEC/EN	A	20	
	UL/CSA	A	15	
Rated operational voltage		V	440	
Rated operational impulse voltage		kV	4	
Maximum fuse size for short-circuit protection $I_n$ (gG)	10kA	A	20	
	15kA	A	20	
	25kA	A	20	
Rated short time current $I_{cw}$	1s	kA	250	
	Conductivity			10/5 mA/V
Operational current $I_e$ IEC/EN	AC1/AC21A		A	20
	AC15			
	110V	A	10	
	220/230V	A	8	
	380/400V	A	6	
	660/690V	A	1.5	
Rated operational power in AC	Three-phase AC-3			
	220/230V	kW	3.7	
	380/440V	kW	5.5	
	500/690V	kW	5.5	
	Single-phase AC-3			
	110V	kW	0.75	
	220/230V	kW	1.8	
	380/440V	kW	3	
	Three-phase AC23A			
	220/230V	kW	4	
	380/440V	kW	7.5	
	500/690V	kW	7.5	
Single-phase AC23A	110V	kW	0.75	
	220/230V	kW	2.2	
	380/440V	kW	3.5	
	Rated operational current in DC			
DC21A				

		48V	A	20
		60V	A	20
		110V	A	4
		220V	A	0.6
		440V	A	0.25
<hr/>				
DC23A (poles in series)				
		24V	A	20 (1)
		48V	A	20 (2)
		60V	A	20 (3)
		110V	A	10 (3)
		220V	A	8 (4)
<hr/>				
DC13				
		24V	A	20
		48V	A	16
		60V	A	12
		110V	A	1
		220V	A	0.4
		440V	A	0.15
<hr/>				
Power dissipation			W	0.6
<b>Mechanical features</b>				
Terminals screw				M3
Tightening torque for terminals max			Nm	0.8
<hr/>				
Conductor size				
AWG - Rigid cable				
		min	AWG	20
		Max	AWG	12
<hr/>				
AWG - Flexible cable				
		min	AWG	20
		Max	AWG	12
<hr/>				
Conductor size (IEC) - Flexible cable				
		min	mm <sup>2</sup>	0.5
		Max	mm <sup>2</sup>	2.5
<hr/>				
Conductor size (IEC) - Rigid cable				
		min	mm <sup>2</sup>	0.5
		Max	mm <sup>2</sup>	2.5
<hr/>				
Mechanical life			cycles	1X10 <sup>6</sup>
<b>UL technical data</b>				
Motor power for direct-on-line control				
for three-phase motor				
		120V	HP	1.5
		240V	HP	3
		480V	HP	5
		600V	HP	5
<hr/>				
for single-phase motor				
		120V	HP	0.75
		240V	HP	1.5
<hr/>				
<b>Ambient conditions</b>				
Temperature				
Operating temperature				
		min	°C	-25
		max	°C	+55
<hr/>				
Storage temperature				
		min	°C	-40
		max	°C	+70

**Resistance & Protection**

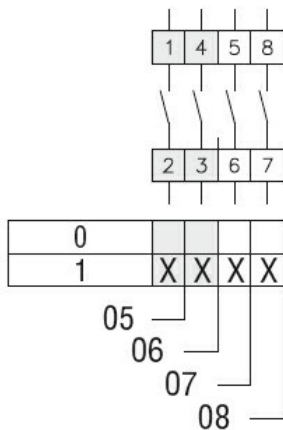
Frontal IP degree	IP65
Terminals IP degree	IP20

**Dimensions**



Series	L			
	1	2	3...8	
<b>GX16</b>	54	62.5	71	147.5
<b>GX20</b>	54	62.5	71	147.5

**Wiring diagrams**



**Certifications and compliance**

**Compliance**

- CSA C22.2 n° 14
- IEC/EN/BS 60947-1
- IEC/EN/BS 60947-3
- IEC/EN/BS 60947-5-1
- IEC/EN/BS 61058-1
- UL60947-4-1

**Certificates**

- cULus
- EAC

**ETIM classification**

ETIM 8.0

EC001029 -  
Selector switch,  
complete