

**General characteristics**

Switching diagram	19 - Dahlander motor control switch 0-1-2
N° of elements	4
Mounting form	P25 - Plastic enclosure with red/yellow handle

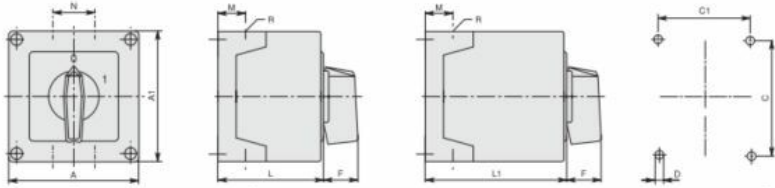
**Contact characteristics**

Rated insulation voltage $U_i$	IEC/EN	V	690
	UL/CSA	V	600
Rated impulse withstand voltage $U_{imp}$		kV	6
Conventional free air thermal current $I_{th}$	IEC/EN	A	20
	UL/CSA	A	15
Rated operational voltage		V	440
Rated operational impulse voltage		kV	4
Maximum fuse size for short-circuit protection $I_n$ (gG)	10kA	A	20
	15kA	A	20
	25kA	A	20
Rated short time current $I_{cw}$	1s	kA	250
	Conductivity		
Operational current $I_e$ IEC/EN	AC1/AC21A		A 20
	AC15		
	110V	A	10
	220/230V	A	8
	380/400V	A	6
	660/690V	A	1.5
Rated operational power in AC	Three-phase AC-3		
	220/230V	kW	3.7
	380/440V	kW	5.5
	500/690V	kW	5.5
	Single-phase AC-3		
	110V	kW	0.75
	220/230V	kW	1.8
	380/440V	kW	3
	Three-phase AC23A		
	220/230V	kW	4
	380/440V	kW	7.5
	500/690V	kW	7.5
Single-phase AC23A	110V	kW	0.75
	220/230V	kW	2.2
	380/440V	kW	3.5
	Rated operational current in DC		
DC21A		48V	A 20

		60V	A	20
		110V	A	4
		220V	A	0.6
		440V	A	0.25
<hr/>				
DC23A (poles in series)		24V	A	20 (1)
		48V	A	20 (2)
		60V	A	20 (3)
		110V	A	10 (3)
		220V	A	8 (4)
<hr/>				
DC13		24V	A	20
		48V	A	16
		60V	A	12
		110V	A	1
		220V	A	0.4
		440V	A	0.15
<hr/>				
Power dissipation			W	0.6
<b>Mechanical features</b>				
Terminals screw				M3
Tightening torque for terminals max			Nm	0.8
<hr/>				
Conductor size				
	AWG - Rigid cable			
		min	AWG	20
		Max	AWG	12
<hr/>				
	AWG - Flexible cable			
		min	AWG	20
		Max	AWG	12
<hr/>				
	Conductor size (IEC) - Flexible cable			
		min	mm <sup>2</sup>	0.5
		Max	mm <sup>2</sup>	2.5
<hr/>				
	Conductor size (IEC) - Rigid cable			
		min	mm <sup>2</sup>	0.5
		Max	mm <sup>2</sup>	2.5
<hr/>				
Mechanical life			cycles	1X10 <sup>6</sup>
<b>UL technical data</b>				
Motor power for direct-on-line control				
	for three-phase motor			
		120V	HP	1.5
		240V	HP	3
		480V	HP	5
		600V	HP	5
<hr/>				
	for single-phase motor			
		120V	HP	0.75
		240V	HP	1.5
<hr/>				
<b>Ambient conditions</b>				
Temperature				
	Operating temperature			
		min	°C	-25
		max	°C	+55
<hr/>				
	Storage temperature			
		min	°C	-40
		max	°C	+70
<hr/>				
<b>Resistance &amp; Protection</b>				

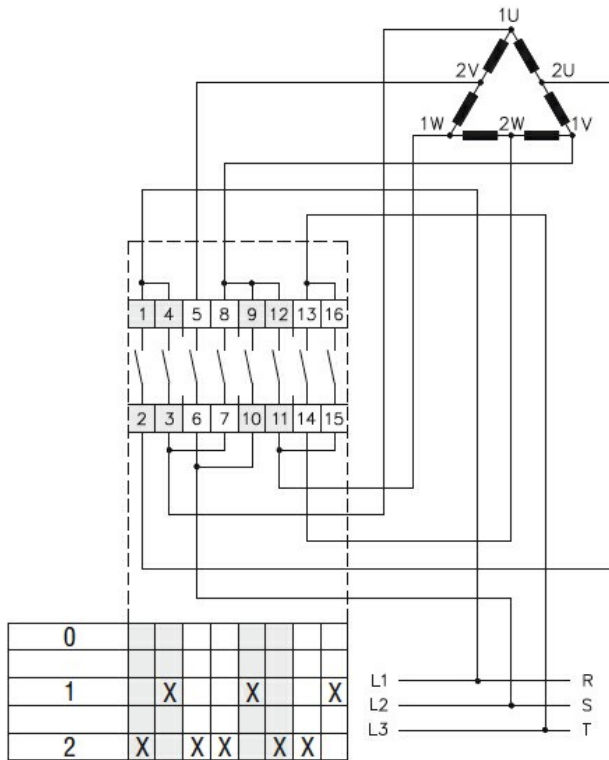
Frontal IP degree	IP65
Terminals IP degree	IP20

**Dimensions**



Series	Enclosure size	Number of elements		Dimensions											Cable entry	Protection degree
		L	L1	A	A1	C	C1	D	F	M	N	L	L1			
GX1600	90x90	1-2	3-5	90	90	79	79	4.5	25	19	30	71.3	98.3	4xPG16	IP65	
		1-2	3-5													
GX16	110x110	1-3	4-7	110	110	98.4	83	4.5	32	21	39.5	85.5	119.5	4xPG21	IP65	
		1-3	4-7													
GX20		1-2	3-4													
		1-2	3-4													

**Wiring diagrams**



**Certifications and compliance**

**Compliance**

- IEC/EN/BS 60947-1
- IEC/EN/BS 60947-3
- IEC/EN/BS 60947-5-1
- IEC/EN/BS 61058-1

**Certificates**

EAC

**ETIM classification**

ETIM 8.0

EC001029 -  
Selector switch,  
complete