

General characteristics

Switching diagram	25 - 1-phase motor reversing switch with spring return
N° of elements	2
Mounting form	U25 - Front mounting with red/yellow handle padlockable in 0 and protection covers

Contact characteristics

Rated insulation voltage U_i	IEC/EN	V	690	
	UL/CSA	V	600	
Rated impulse withstand voltage U_{imp}		kV	6	
Conventional free air thermal current I_{th}	IEC/EN	A	20	
	UL/CSA	A	15	
Rated operational voltage		V	440	
Rated operational impulse voltage		kV	4	
Maximum fuse size for short-circuit protection I_n (gG)	10kA	A	20	
	15kA	A	20	
	25kA	A	20	
Rated short time current I_{cw}	1s	kA	250	
			10/5 mA/V	
Conductivity			10/5 mA/V	
Operational current I_e IEC/EN	AC1/AC21A	A	20	
	AC15			
	110V	A	10	
	220/230V	A	8	
	380/400V	A	6	
	660/690V	A	1.5	
Rated operational power in AC	Three-phase AC-3	220/230V	kW	3.7
		380/440V	kW	5.5
		500/690V	kW	5.5
	Single-phase AC-3	110V	kW	0.75
		220/230V	kW	1.8
		380/440V	kW	3
	Three-phase AC23A	220/230V	kW	4
		380/440V	kW	7.5
		500/690V	kW	7.5
	Single-phase AC23A	110V	kW	0.75
		220/230V	kW	2.2
		380/440V	kW	3.5

Rated operational current in DC
DC21A

48V	A	20
60V	A	20
110V	A	4
220V	A	0.6
440V	A	0.25

DC23A (poles in series)

24V	A	20 (1)
48V	A	20 (2)
60V	A	20 (3)
110V	A	10 (3)
220V	A	8 (4)

DC13

24V	A	20
48V	A	16
60V	A	12
110V	A	1
220V	A	0.4
440V	A	0.15

Power dissipation W 0.6

Mechanical features

Terminals screw M3

Tightening torque for terminals max Nm 0.8

Conductor size

AWG - Rigid cable

min	AWG	20
Max	AWG	12

AWG - Flexible cable

min	AWG	20
Max	AWG	12

Conductor size (IEC) - Flexible cable

min	mm ²	0.5
Max	mm ²	2.5

Conductor size (IEC) - Rigid cable

min	mm ²	0.5
Max	mm ²	2.5

Mechanical life cycles 1X10⁶

UL technical data

Motor power for direct-on-line control

for three-phase motor

120V	HP	1.5
240V	HP	3
480V	HP	5
600V	HP	5

for single-phase motor

120V	HP	0.75
240V	HP	1.5

Ambient conditions

Temperature

Operating temperature

min	°C	-25
max	°C	+55

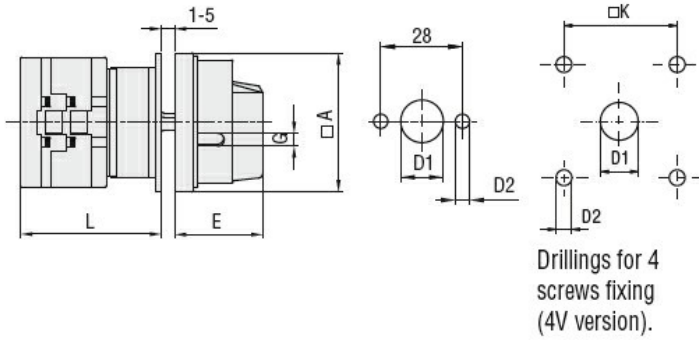
Storage temperature

min	°C	-40
max	°C	+70

Resistance & Protection

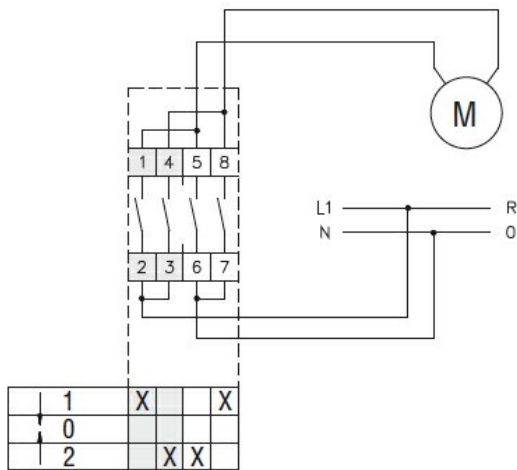
Frontal IP degree	IP65
Terminals IP degree	IP20

Dimensions



Series	Dimensions						L				
	□A	D1	D2	E	G	□K	1	2	3...12		
GX16	48	12	5	34.2	5	36	43	51.5	60	136.5	
GX20	48	12	5	34.2	5	36	43	51.5	60	136.5	
GX32	65	14	5	38	6	48	51	63	75	183	
GX40	65	14	5	38	6	48	51	63	75	183	

Wiring diagrams



Certifications and compliance

Compliance

- CSA C22.2 n° 14
- IEC/EN/BS 60947-1
- IEC/EN/BS 60947-3
- IEC/EN/BS 60947-5-1
- IEC/EN/BS 61058-1
- UL60947-4-1

Certificates

- cULus
- EAC

ETIM classification

ETIM 8.0

EC001029 -
Selector switch,
complete