

General characteristics

Switching diagram	07 - ON/OFF switch 3 poles
N° of elements	2
Mounting form	U25 - Front mounting with red/yellow handle padlockable in 0 and protection covers

Contact characteristics

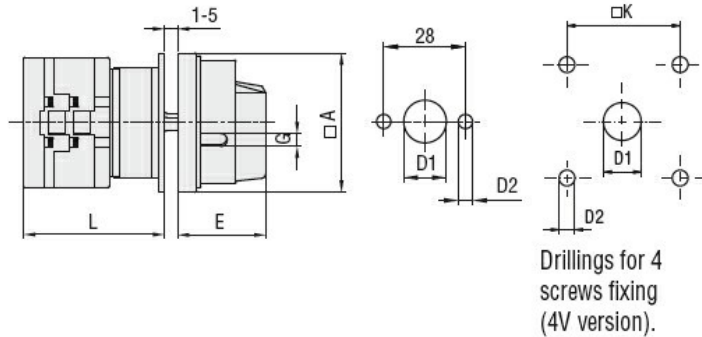
Rated insulation voltage U_i	IEC/EN	V	690
	UL/CSA	V	600
Rated impulse withstand voltage U_{imp}		kV	6
Conventional free air thermal current I_{th}	IEC/EN	A	32
	UL/CSA	A	32
Rated operational voltage		V	440
Rated operational impulse voltage		kV	4
Maximum fuse size for short-circuit protection I_n (gG)	10kA	A	35
	15kA	A	35
	25kA	A	35
Rated short time current I_{cw}	1s	kA	1000
			10/5 mA/V
Conductivity			
Operational current I_e IEC/EN	AC1/AC21A		
		A	32
	AC15		
	110V	A	25
	220/230V	A	20
380/400V	A	10	
660/690V	A	2	
Rated operational power in AC	Three-phase AC-3		
	220/230V	kW	7.5
	380/440V	kW	11
	500/690V	kW	11
	Single-phase AC-3		
	110V	kW	1.8
	220/230V	kW	3.5
	380/440V	kW	5.5
	Three-phase AC23A		
	220/230V	kW	8
	380/440V	kW	15
	500/690V	kW	15
Single-phase AC23A			
110V	kW	2.2	
220/230V	kW	3.5	
380/440V	kW	6	
Rated operational current in DC	DC21A		

		48V	A	32
		60V	A	32
		110V	A	5
		220V	A	0.8
		440V	A	0.25
<hr/>				
DC23A (poles in series)				
		24V	A	32 (1)
		48V	A	32 (2)
		60V	A	32 (3)
		110V	A	15 (3)
		220V	A	12 (4)
<hr/>				
DC13				
		24V	A	32
		48V	A	25
		60V	A	14
		110V	A	3
		220V	A	0.5
		440V	A	0.15
<hr/>				
Power dissipation			W	1.6
Mechanical features				
Terminals screw				M4
Tightening torque for terminals max			Nm	1.2
<hr/>				
Conductor size				
AWG - Rigid cable				
		min	AWG	16
		Max	AWG	8
<hr/>				
AWG - Flexible cable				
		min	AWG	16
		Max	AWG	10
<hr/>				
Conductor size (IEC) - Flexible cable				
		min	mm ²	1.5
		Max	mm ²	6
<hr/>				
Conductor size (IEC) - Rigid cable				
		min	mm ²	1.5
		Max	mm ²	10
<hr/>				
Mechanical life			cycles	1X10 ⁶
UL technical data				
Motor power for direct-on-line control				
for three-phase motor				
		120V	HP	3
		240V	HP	7.5
		480V	HP	15
		600V	HP	15
<hr/>				
for single-phase motor				
		120V	HP	1.5
		240V	HP	3
<hr/>				
Ambient conditions				
Temperature				
Operating temperature				
		min	°C	-25
		max	°C	+55
<hr/>				
Storage temperature				
		min	°C	-40
		max	°C	+70

Resistance & Protection

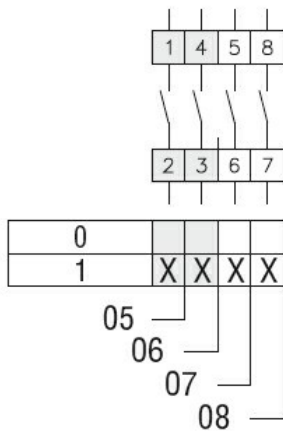
Frontal IP degree	IP65
Terminals IP degree	IP20

Dimensions



Series	Dimensions						L				
	□A	D1	D2	E	G	□K	1	2	3...12		
GX16	48	12	5	34.2	5	36	43	51.5	60	136.5	
GX20	48	12	5	34.2	5	36	43	51.5	60	136.5	
GX32	65	14	5	38	6	48	51	63	75	183	
GX40	65	14	5	38	6	48	51	63	75	183	

Wiring diagrams



Certifications and compliance

Compliance

- CSA C22.2 n° 14
- IEC/EN/BS 60947-1
- IEC/EN/BS 60947-3
- IEC/EN/BS 60947-5-1
- IEC/EN/BS 61058-1
- UL60947-4-1

Certificates

- cULus
- EAC

ETIM classification

ETIM 8.0

EC001029 -
Selector switch,
complete