

General characteristics

Switching diagram	12 - Star-delta motor starter switch
N° of elements	4
Mounting form	O88 - Rear mounting with red/yellow handle padlockable in 0, door coupling and protection covers

Contact characteristics

Rated insulation voltage U_i	IEC/EN	V	690	
	UL/CSA	V	600	
Rated impulse withstand voltage U_{imp}		kV	6	
Conventional free air thermal current I_{th}	IEC/EN	A	32	
	UL/CSA	A	32	
Rated operational voltage		V	440	
Rated operational impulse voltage		kV	4	
Maximum fuse size for short-circuit protection I_n (gG)	10kA	A	35	
	15kA	A	35	
	25kA	A	35	
Rated short time current I_{cw}	1s	kA	1000	
			10/5 mA/V	
Conductivity			10/5 mA/V	
Operational current I_e IEC/EN	AC1/AC21A	A	32	
	AC15			
	110V	A	25	
	220/230V	A	20	
	380/400V	A	10	
	660/690V	A	2	
Rated operational power in AC	Three-phase AC-3	220/230V	kW	7.5
		380/440V	kW	11
		500/690V	kW	11
	Single-phase AC-3	110V	kW	1.8
		220/230V	kW	3.5
		380/440V	kW	5.5
	Three-phase AC23A	220/230V	kW	8
		380/440V	kW	15
		500/690V	kW	15
	Single-phase AC23A	110V	kW	2.2
		220/230V	kW	3.5
		380/440V	kW	6

Rated operational current in DC

DC21A

48V	A	32
60V	A	32
110V	A	5
220V	A	0.8
440V	A	0.25

DC23A (poles in series)

24V	A	32 (1)
48V	A	32 (2)
60V	A	32 (3)
110V	A	15 (3)
220V	A	12 (4)

DC13

24V	A	32
48V	A	25
60V	A	14
110V	A	3
220V	A	0.5
440V	A	0.15

Power dissipation

W 1.6

Mechanical features

Terminals screw

M4

Tightening torque for terminals max

Nm 1.2

Conductor size

AWG - Rigid cable

min	AWG	16
Max	AWG	8

AWG - Flexible cable

min	AWG	16
Max	AWG	10

Conductor size (IEC) - Flexible cable

min	mm ²	1.5
Max	mm ²	6

Conductor size (IEC) - Rigid cable

min	mm ²	1.5
Max	mm ²	10

Mechanical life

cycles 1X10⁶

UL technical data

Motor power for direct-on-line control

for three-phase motor

120V	HP	3
240V	HP	7.5
480V	HP	15
600V	HP	15

for single-phase motor

120V	HP	1.5
240V	HP	3

Ambient conditions

Temperature

Operating temperature

min	°C	-25
max	°C	+55

Storage temperature

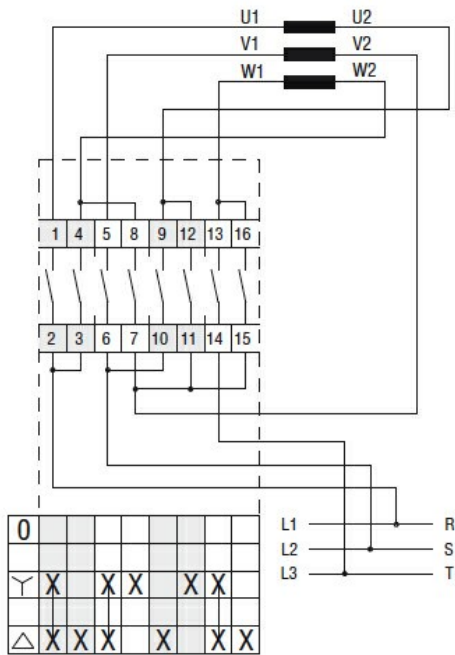
min	°C	-40
max	°C	+70

Resistance & Protection

Frontal IP degree	IP65
Terminals IP degree	IP20

Dimensions

Wiring diagrams



Certifications and compliance

Compliance

- CSA C22.2 n° 14
- IEC/EN/BS 60947-1
- IEC/EN/BS 60947-3
- IEC/EN/BS 60947-5-1
- IEC/EN/BS 61058-1
- UL60947-4-1

Certificates

- cULus
- EAC

ETIM classification

ETIM 8.0

EC001029 -
Selector switch,
complete