



General characteristics

Switching diagram	12 - Star-delta motor starter switch
N° of elements	4
Mounting form	P - Plastic enclosure with black handle

Contact characteristics

Rated insulation voltage U_i	IEC/EN	V	690	
	UL/CSA	V	600	
Rated impulse withstand voltage U_{imp}		kV	6	
Conventional free air thermal current I_{th}	IEC/EN	A	32	
	UL/CSA	A	32	
Rated operational voltage		V	440	
Rated operational impulse voltage		kV	4	
Maximum fuse size for short-circuit protection I_n (gG)	10kA	A	35	
	15kA	A	35	
	25kA	A	35	
Rated short time current I_{cw}	1s	kA	1000	
			10/5 mA/V	
Conductivity			10/5 mA/V	
Operational current I_e IEC/EN	AC1/AC21A	A	32	
	AC15			
	110V	A	25	
	220/230V	A	20	
	380/400V	A	10	
	660/690V	A	2	
Rated operational power in AC	Three-phase AC-3	220/230V	kW	7.5
		380/440V	kW	11
		500/690V	kW	11
	Single-phase AC-3	110V	kW	1.8
		220/230V	kW	3.5
		380/440V	kW	5.5
	Three-phase AC23A	220/230V	kW	8
		380/440V	kW	15
		500/690V	kW	15

ENCLOSED ROTARY CAM SWITCH GX SERIES, STAR-DELTA MOTOR STARTER SWITCH
32A IN PLASTIC ENCLOSURE 110X110MM WITH BLACK HANDLE

Single-phase AC23A

110V	kW	2.2
220/230V	kW	3.5
380/440V	kW	6

Rated operational current in DC

DC21A

48V	A	32
60V	A	32
110V	A	5
220V	A	0.8
440V	A	0.25

DC23A (poles in series)

24V	A	32 (1)
48V	A	32 (2)
60V	A	32 (3)
110V	A	15 (3)
220V	A	12 (4)

DC13

24V	A	32
48V	A	25
60V	A	14
110V	A	3
220V	A	0.5
440V	A	0.15

Power dissipation

W 1.6

Mechanical features

Terminals screw

M4

Tightening torque for terminals max

Nm 1.2

Conductor size

AWG - Rigid cable

min	AWG	16
Max	AWG	8

AWG - Flexible cable

min	AWG	16
Max	AWG	10

Conductor size (IEC) - Flexible cable

min	mm ²	1.5
Max	mm ²	6

Conductor size (IEC) - Rigid cable

min	mm ²	1.5
Max	mm ²	10

Mechanical life

cycles 1X10⁶

UL technical data

Motor power for direct-on-line control

for three-phase motor

120V	HP	3
240V	HP	7.5
480V	HP	15
600V	HP	15

for single-phase motor

120V	HP	1.5
240V	HP	3

Ambient conditions

Temperature

Operating temperature

min °C -25
max °C +55

Storage temperature

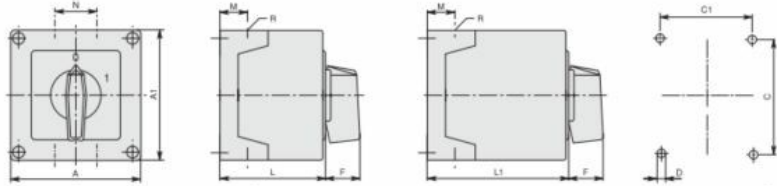
min °C -40
max °C +70

Resistance & Protection

Frontal IP degree IP65

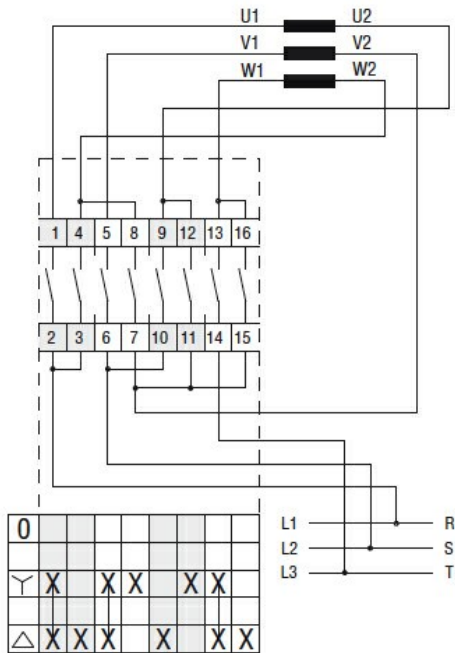
Terminals IP degree IP20

Dimensions



Series	Enclosure size	Number of elements		Dimensions										Cable entry	Protection degree
		L	L1	A	A1	C	C1	D	F	M	N	L	L1		
GX160	90x90	1-2	3-5	90	90	79	79	4.5	25	19	30	71.3	98.3	4xPG16	IP65
GX200		1-2	3-5												
GX16	110x110	1-3	4-7	110	110	98.4	83	4.5	32	21	39.5	85.5	119.5	4xPG21	IP65
GX20		1-3	4-7												
GX320		1-2	3-4												
GX400		1-2	3-4												

Wiring diagrams



Certifications and compliance

Compliance

IEC/EN/BS 60947-1

IEC/EN/BS 60947-3

IEC/EN/BS 60947-5-1

IEC/EN/BS 61058-1

Certificates

EAC

ETIM classification

ETIM 8.0

EC001029 -
Selector switch,
complete