

### General characteristics

Switching diagram	12 - Star-delta motor starter switch
N° of elements	4
Mounting form	U25 - Front mounting with red/yellow handle padlockable in 0 and protection covers

### Contact characteristics

Rated insulation voltage $U_i$	IEC/EN	V	690	
	UL/CSA	V	600	
Rated impulse withstand voltage $U_{imp}$		kV	6	
Conventional free air thermal current $I_{th}$	IEC/EN	A	32	
	UL/CSA	A	32	
Rated operational voltage		V	440	
Rated operational impulse voltage		kV	4	
Maximum fuse size for short-circuit protection $I_n$ (gG)	10kA	A	35	
	15kA	A	35	
	25kA	A	35	
Rated short time current $I_{cw}$	1s	kA	1000	
			10/5 mA/V	
Conductivity			10/5 mA/V	
Operational current $I_e$ IEC/EN	AC1/AC21A	A	32	
	AC15			
	110V	A	25	
	220/230V	A	20	
	380/400V	A	10	
	660/690V	A	2	
Rated operational power in AC	Three-phase AC-3	220/230V	kW	7.5
		380/440V	kW	11
		500/690V	kW	11
	Single-phase AC-3	110V	kW	1.8
		220/230V	kW	3.5
		380/440V	kW	5.5
	Three-phase AC23A	220/230V	kW	8
		380/440V	kW	15
		500/690V	kW	15
	Single-phase AC23A	110V	kW	2.2
		220/230V	kW	3.5
		380/440V	kW	6

### Rated operational current in DC

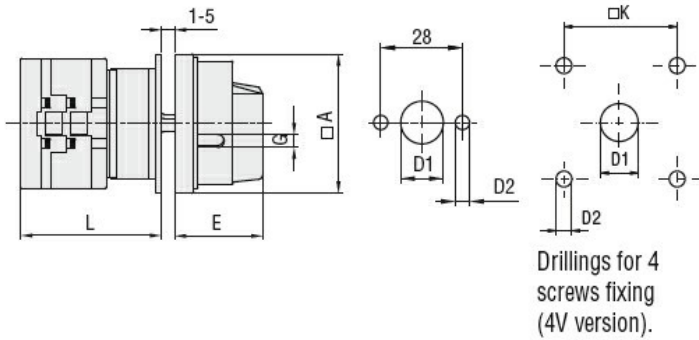
DC21A				
	48V	A	32	
	60V	A	32	
	110V	A	5	
	220V	A	0.8	
	440V	A	0.25	
DC23A (poles in series)				
	24V	A	32 (1)	
	48V	A	32 (2)	
	60V	A	32 (3)	
	110V	A	15 (3)	
	220V	A	12 (4)	
DC13				
	24V	A	32	
	48V	A	25	
	60V	A	14	
	110V	A	3	
	220V	A	0.5	
	440V	A	0.15	
Power dissipation		W	1.6	
<b>Mechanical features</b>				
Terminals screw				M4
Tightening torque for terminals max		Nm	1.2	
Conductor size				
AWG - Rigid cable				
	min	AWG	16	
	Max	AWG	8	
AWG - Flexible cable				
	min	AWG	16	
	Max	AWG	10	
Conductor size (IEC) - Flexible cable				
	min	mm <sup>2</sup>	1.5	
	Max	mm <sup>2</sup>	6	
Conductor size (IEC) - Rigid cable				
	min	mm <sup>2</sup>	1.5	
	Max	mm <sup>2</sup>	10	
Mechanical life		cycles	1X10 <sup>6</sup>	
<b>UL technical data</b>				
Motor power for direct-on-line control				
for three-phase motor				
	120V	HP	3	
	240V	HP	7.5	
	480V	HP	15	
	600V	HP	15	
for single-phase motor				
	120V	HP	1.5	
	240V	HP	3	
<b>Ambient conditions</b>				
Temperature				
Operating temperature				
	min	°C	-25	
	max	°C	+55	
Storage temperature				
	min	°C	-40	

max °C +70

**Resistance & Protection**

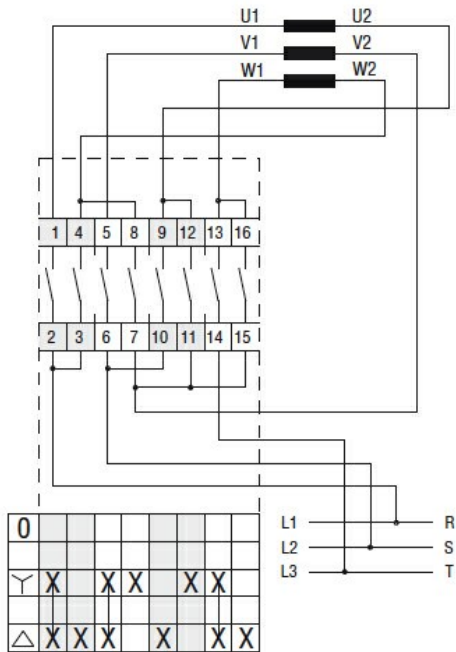
Frontal IP degree	IP65
Terminals IP degree	IP20

**Dimensions**



Series	Dimensions						L			
	□A	D1	D2	E	G	□K	1	2	3...12	
<b>GX16</b>	48	12	5	34.2	5	36	43	51.5	60	136.5
<b>GX20</b>	48	12	5	34.2	5	36	43	51.5	60	136.5
<b>GX32</b>	65	14	5	38	6	48	51	63	75	183
<b>GX40</b>	65	14	5	38	6	48	51	63	75	183

**Wiring diagrams**



**Certifications and compliance**

**Compliance**

- CSA C22.2 n° 14
- IEC/EN/BS 60947-1
- IEC/EN/BS 60947-3
- IEC/EN/BS 60947-5-1
- IEC/EN/BS 61058-1
- UL60947-4-1

---

Certificates

cULus

---

EAC

ETIM classification

ETIM 8.0

EC001029 -  
Selector switch,  
complete