

General characteristics

Switching diagram	19 - Dahlander motor control switch 0-1-2
N° of elements	4
Mounting form	P25 - Plastic enclosure with red/yellow handle

Contact characteristics

Rated insulation voltage U_i	IEC/EN	V	690	
	UL/CSA	V	600	
Rated impulse withstand voltage U_{imp}		kV	6	
Conventional free air thermal current I_{th}	IEC/EN	A	32	
	UL/CSA	A	32	
Rated operational voltage		V	440	
Rated operational impulse voltage		kV	4	
Maximum fuse size for short-circuit protection I_n (gG)	10kA	A	35	
	15kA	A	35	
	25kA	A	35	
Rated short time current I_{cw}	1s	kA	1000	
	Conductivity			10/5 mA/V
Operational current I_e IEC/EN	AC1/AC21A		A	32
	AC15			
	110V	A	25	
	220/230V	A	20	
	380/400V	A	10	
	660/690V	A	2	
Rated operational power in AC	Three-phase AC-3			
	220/230V	kW	7.5	
	380/440V	kW	11	
	500/690V	kW	11	
	Single-phase AC-3			
	110V	kW	1.8	
	220/230V	kW	3.5	
	380/440V	kW	5.5	
	Three-phase AC23A			
	220/230V	kW	8	
	380/440V	kW	15	
	500/690V	kW	15	
Single-phase AC23A				
110V	kW	2.2		
220/230V	kW	3.5		
380/440V	kW	6		
Rated operational current in DC	DC21A			
	48V	A	32	

		60V	A	32
		110V	A	5
		220V	A	0.8
		440V	A	0.25
<hr/>				
DC23A (poles in series)		24V	A	32 (1)
		48V	A	32 (2)
		60V	A	32 (3)
		110V	A	15 (3)
		220V	A	12 (4)
<hr/>				
DC13		24V	A	32
		48V	A	25
		60V	A	14
		110V	A	3
		220V	A	0.5
		440V	A	0.15
<hr/>				
Power dissipation			W	1.6
Mechanical features				
Terminals screw				M4
Tightening torque for terminals max			Nm	1.2
<hr/>				
Conductor size				
	AWG - Rigid cable			
		min	AWG	16
		Max	AWG	8
<hr/>				
	AWG - Flexible cable			
		min	AWG	16
		Max	AWG	10
<hr/>				
	Conductor size (IEC) - Flexible cable			
		min	mm ²	1.5
		Max	mm ²	6
<hr/>				
	Conductor size (IEC) - Rigid cable			
		min	mm ²	1.5
		Max	mm ²	10
<hr/>				
Mechanical life			cycles	1X10 ⁶
UL technical data				
Motor power for direct-on-line control				
	for three-phase motor			
		120V	HP	3
		240V	HP	7.5
		480V	HP	15
		600V	HP	15
<hr/>				
	for single-phase motor			
		120V	HP	1.5
		240V	HP	3
<hr/>				
Ambient conditions				
Temperature				
	Operating temperature			
		min	°C	-25
		max	°C	+55
<hr/>				
	Storage temperature			
		min	°C	-40
		max	°C	+70
<hr/>				
Resistance & Protection				

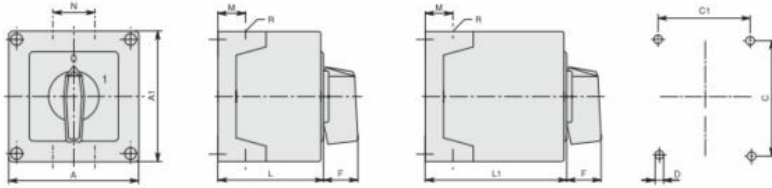
Frontal IP degree

IP65

Terminals IP degree

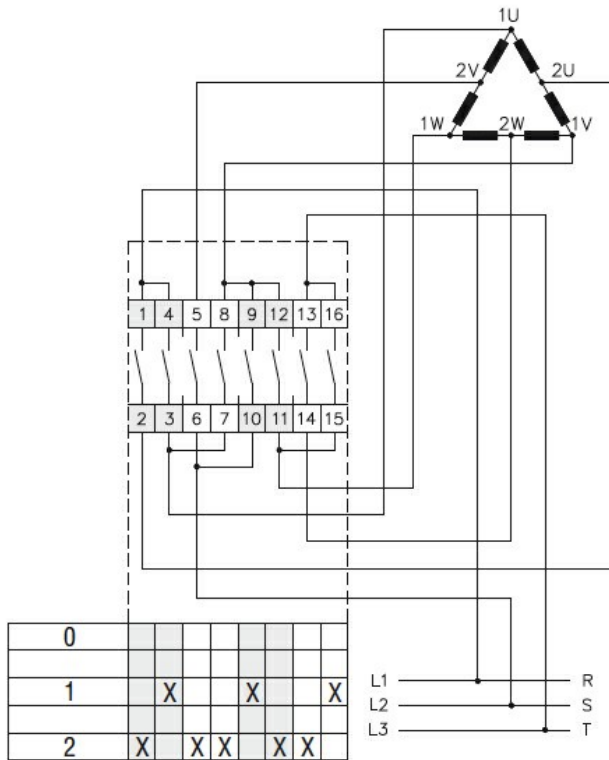
IP20

Dimensions



Series	Enclosure size	Number of elements		Dimensions										Cable entry	Protection degree
		L	L1	A	A1	C	C1	D	F	M	N	L	L1		
GX1600	90x90	1-2	3-5	90	90	79	79	4.5	25	19	30	71.3	98.3	4xPG16	IP65
		1-2	3-5												
GX16	110x110	1-3	4-7	110	110	98.4	83	4.5	32	21	39.5	85.5	119.5	4xPG21	IP65
		1-3	4-7												
GX20		1-2	3-4												
GX3200		1-2	3-4												

Wiring diagrams



Certifications and compliance

Compliance

- IEC/EN/BS 60947-1
- IEC/EN/BS 60947-3
- IEC/EN/BS 60947-5-1
- IEC/EN/BS 61058-1

Certificates

EAC

ETIM classification

ETIM 8.0

EC001029 -
Selector switch,
complete