

**General characteristics**

|                   |   |
|-------------------|---|
| Switching diagram | 19 - Dahlander motor control switch 0-1-2 |
| N° of elements    | 4   |
| Mounting form     | U - Front mounting with black handle      |

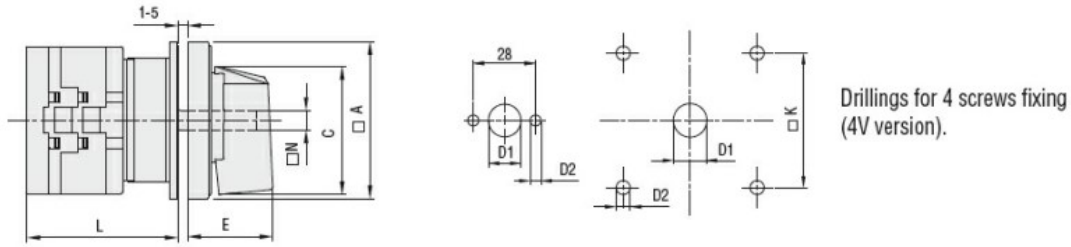
**Contact characteristics**

|   |                    |          |           |     |
|---|--------------------|----------|-----------|-----|
| Rated insulation voltage $U_i$                            | IEC/EN             | V        | 690       |     |
|   | UL/CSA             | V        | 600       |     |
| Rated impulse withstand voltage $U_{imp}$                 |                    | kV       | 6         |     |
| Conventional free air thermal current $I_{th}$            | IEC/EN             | A        | 32        |     |
|   | UL/CSA             | A        | 32        |     |
| Rated operational voltage                                 |                    | V        | 440       |     |
| Rated operational impulse voltage                         |                    | kV       | 4         |     |
| Maximum fuse size for short-circuit protection $I_n$ (gG) | 10kA               | A        | 35        |     |
|   | 15kA               | A        | 35        |     |
|   | 25kA               | A        | 35        |     |
| Rated short time current $I_{cw}$                         | 1s                 | kA       | 1000      |     |
|   |                    |          | 10/5 mA/V |     |
| Conductivity  |                    |          | 10/5 mA/V |     |
| Operational current $I_e$ IEC/EN                          | AC1/AC21A          | A        | 32        |     |
|   | AC15               |          |           |     |
|   | 110V               | A        | 25        |     |
|   | 220/230V           | A        | 20        |     |
|   | 380/400V           | A        | 10        |     |
|   | 660/690V           | A        | 2         |     |
| Rated operational power in AC                             | Three-phase AC-3   | 220/230V | kW        | 7.5 |
|   |                    | 380/440V | kW        | 11  |
|   |                    | 500/690V | kW        | 11  |
|   | Single-phase AC-3  | 110V     | kW        | 1.8 |
|   |                    | 220/230V | kW        | 3.5 |
|   |                    | 380/440V | kW        | 5.5 |
|   | Three-phase AC23A  | 220/230V | kW        | 8   |
|   |                    | 380/440V | kW        | 15  |
|   |                    | 500/690V | kW        | 15  |
|   | Single-phase AC23A | 110V     | kW        | 2.2 |
|   |                    | 220/230V | kW        | 3.5 |
|   |                    | 380/440V | kW        | 6   |
| Rated operational current in DC                           | DC21A              | 48V      | A         | 32  |

|  |      |                 |                   |
|--|------|-----------------|-------------------|
|  | 60V  | A               | 32                |
|  | 110V | A               | 5                 |
|  | 220V | A               | 0.8               |
|  | 440V | A               | 0.25              |
| <hr/>                                  |      |                 |                   |
| DC23A (poles in series)                | 24V  | A               | 32 (1)            |
|  | 48V  | A               | 32 (2)            |
|  | 60V  | A               | 32 (3)            |
|  | 110V | A               | 15 (3)            |
|  | 220V | A               | 12 (4)            |
| <hr/>                                  |      |                 |                   |
| DC13                                   | 24V  | A               | 32                |
|  | 48V  | A               | 25                |
|  | 60V  | A               | 14                |
|  | 110V | A               | 3                 |
|  | 220V | A               | 0.5               |
|  | 440V | A               | 0.15              |
| <hr/>                                  |      |                 |                   |
| Power dissipation                      |      | W               | 1.6               |
| <b>Mechanical features</b>             |      |                 |                   |
| Terminals screw                        |      |                 | M4                |
| Tightening torque for terminals max    |      | Nm              | 1.2               |
| <hr/>                                  |      |                 |                   |
| Conductor size                         |      |                 |                   |
| AWG - Rigid cable                      | min  | AWG             | 16                |
|  | Max  | AWG             | 8                 |
| <hr/>                                  |      |                 |                   |
| AWG - Flexible cable                   | min  | AWG             | 16                |
|  | Max  | AWG             | 10                |
| <hr/>                                  |      |                 |                   |
| Conductor size (IEC) - Flexible cable  | min  | mm <sup>2</sup> | 1.5               |
|  | Max  | mm <sup>2</sup> | 6                 |
| <hr/>                                  |      |                 |                   |
| Conductor size (IEC) - Rigid cable     | min  | mm <sup>2</sup> | 1.5               |
|  | Max  | mm <sup>2</sup> | 10                |
| <hr/>                                  |      |                 |                   |
| Mechanical life                        |      | cycles          | 1X10 <sup>6</sup> |
| <b>UL technical data</b>               |      |                 |                   |
| Motor power for direct-on-line control |      |                 |                   |
| for three-phase motor                  | 120V | HP              | 3                 |
|  | 240V | HP              | 7.5               |
|  | 480V | HP              | 15                |
|  | 600V | HP              | 15                |
| <hr/>                                  |      |                 |                   |
| for single-phase motor                 | 120V | HP              | 1.5               |
|  | 240V | HP              | 3                 |
| <hr/>                                  |      |                 |                   |
| <b>Ambient conditions</b>              |      |                 |                   |
| Temperature                            |      |                 |                   |
| Operating temperature                  | min  | °C              | -25               |
|  | max  | °C              | +55               |
| <hr/>                                  |      |                 |                   |
| Storage temperature                    | min  | °C              | -40               |
|  | max  | °C              | +70               |
| <hr/>                                  |      |                 |                   |
| <b>Resistance &amp; Protection</b>     |      |                 |                   |

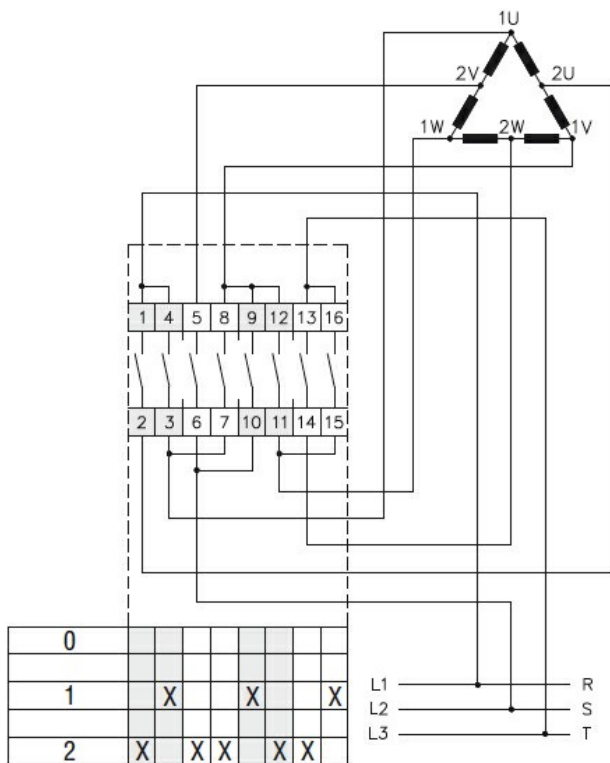
|                     |      |
|---------------------|------|
| Frontal IP degree   | IP65 |
| Terminals IP degree | IP20 |

**Dimensions**



| Series | Dimensions |      |     |     |      |    |    | L Number of elements |      |    |      |    |      |     |       |     |       |     |       |
|--------|------------|------|-----|-----|------|----|----|----------------------|------|----|------|----|------|-----|-------|-----|-------|-----|-------|
|        | □A         | C    | ØD1 | ØD2 | E    | □K | □N | 1                    | 2    | 3  | 4    | 5  | 6    | 7   | 8     | 9   | 10    | 11  | 12    |
| GX16   | 48         | 39.5 | 12  | 5   | 26.5 | 36 | 6  | 43                   | 51.5 | 60 | 68.5 | 77 | 85.5 | 94  | 102.5 | 111 | 119.5 | 128 | 136.5 |
| GX20   | 48         | 39.5 | 12  | 5   | 26.5 | 36 | 6  | 43                   | 51.5 | 60 | 68.5 | 77 | 85.5 | 94  | 102.5 | 111 | 119.5 | 128 | 136.5 |
| GX32   | 65         | 53   | 14  | 5   | 34.5 | 48 | 7  | 51                   | 63   | 75 | 85   | 99 | 111  | 123 | 135   | 147 | 159   | 171 | 183   |
| GX40   | 65         | 53   | 14  | 5   | 34.5 | 48 | 7  | 51                   | 63   | 75 | 85   | 99 | 111  | 123 | 135   | 147 | 159   | 171 | 183   |

**Wiring diagrams**



**Certifications and compliance**

**Compliance**

- CSA C22.2 n° 14
- IEC/EN/BS 60947-1
- IEC/EN/BS 60947-3
- IEC/EN/BS 60947-5-1
- IEC/EN/BS 61058-1
- UL60947-4-1

**Certificates**

- cULus
- EAC

**ETIM classification**

ETIM 8.0

EC001029 -  
Selector switch,  
complete