

### General characteristics

Switching diagram	68 - Voltmeter switch for phase-neutral voltages
N° of elements	2
Mounting form	O - Rear mounting with black handle

### Contact characteristics

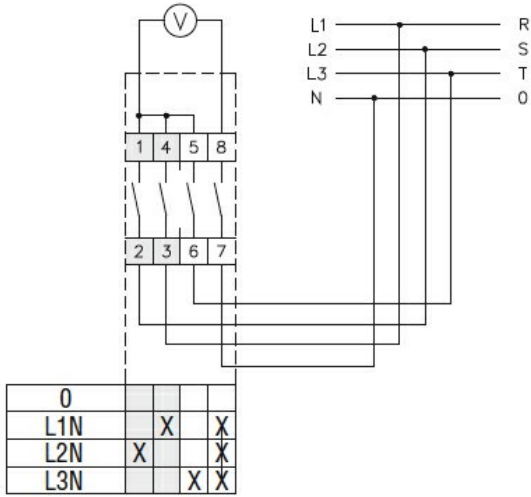
Rated insulation voltage $U_i$	IEC/EN	V	690	
	UL/CSA	V	600	
Rated impulse withstand voltage $U_{imp}$		kV	6	
Conventional free air thermal current $I_{th}$	IEC/EN	A	32	
	UL/CSA	A	32	
Rated operational voltage		V	440	
Rated operational impulse voltage		kV	4	
Maximum fuse size for short-circuit protection $I_n$ (gG)	10kA	A	35	
	15kA	A	35	
	25kA	A	35	
Rated short time current $I_{cw}$	1s	kA	1000	
			10/5 mA/V	
Conductivity			10/5 mA/V	
Operational current $I_e$ IEC/EN	AC1/AC21A	A	32	
	AC15			
	110V	A	25	
	220/230V	A	20	
	380/400V	A	10	
	660/690V	A	2	
Rated operational power in AC	Three-phase AC-3	220/230V	kW	7.5
		380/440V	kW	11
		500/690V	kW	11
	Single-phase AC-3	110V	kW	1.8
		220/230V	kW	3.5
		380/440V	kW	5.5
	Three-phase AC23A	220/230V	kW	8
		380/440V	kW	15
		500/690V	kW	15
	Single-phase AC23A	110V	kW	2.2
		220/230V	kW	3.5
		380/440V	kW	6
Rated operational current in DC	DC21A	48V	A	32

		60V	A	32
		110V	A	5
		220V	A	0.8
		440V	A	0.25
<hr/>				
DC23A (poles in series)		24V	A	32 (1)
		48V	A	32 (2)
		60V	A	32 (3)
		110V	A	15 (3)
		220V	A	12 (4)
<hr/>				
DC13		24V	A	32
		48V	A	25
		60V	A	14
		110V	A	3
		220V	A	0.5
		440V	A	0.15
<hr/>				
Power dissipation			W	1.6
<b>Mechanical features</b>				
Terminals screw				M4
Tightening torque for terminals max			Nm	1.2
<hr/>				
Conductor size				
	AWG - Rigid cable			
		min	AWG	16
		Max	AWG	8
<hr/>				
	AWG - Flexible cable			
		min	AWG	16
		Max	AWG	10
<hr/>				
	Conductor size (IEC) - Flexible cable			
		min	mm <sup>2</sup>	1.5
		Max	mm <sup>2</sup>	6
<hr/>				
	Conductor size (IEC) - Rigid cable			
		min	mm <sup>2</sup>	1.5
		Max	mm <sup>2</sup>	10
<hr/>				
Mechanical life			cycles	1X10 <sup>6</sup>
<b>UL technical data</b>				
Motor power for direct-on-line control				
	for three-phase motor			
		120V	HP	3
		240V	HP	7.5
		480V	HP	15
		600V	HP	15
<hr/>				
	for single-phase motor			
		120V	HP	1.5
		240V	HP	3
<hr/>				
<b>Ambient conditions</b>				
Temperature				
	Operating temperature			
		min	°C	-25
		max	°C	+55
<hr/>				
	Storage temperature			
		min	°C	-40
		max	°C	+70
<hr/>				
<b>Resistance &amp; Protection</b>				

Frontal IP degree	IP65
Terminals IP degree	IP20

**Dimensions**

**Wiring diagrams**



**Certifications and compliance**

Compliance

CSA C22.2 n° 14
IEC/EN/BS 60947-1
IEC/EN/BS 60947-3
IEC/EN/BS 60947-5-1
IEC/EN/BS 61058-1
UL60947-4-1

Certificates

cULus
EAC

**ETIM classification**

ETIM 8.0	EC001029 - Selector switch, complete
----------	--------------------------------------