

General characteristics

| | |
|-------------------|--|
| Switching diagram | 05 - ON/OFF switch 1 pole |
| N° of elements | 1 |
| Mounting form | U25 - Front mounting with red/yellow handle padlockable in 0 and protection covers |

Contact characteristics

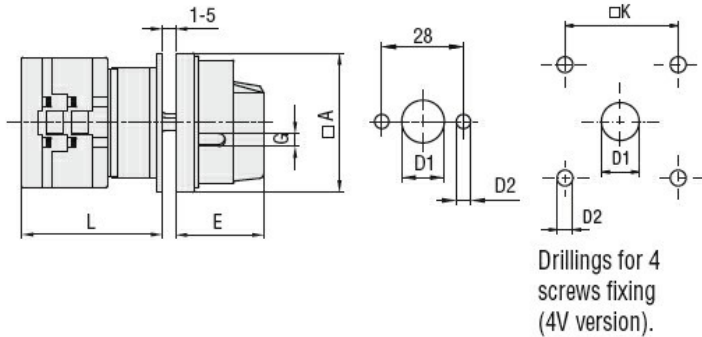
| | | | | |
|---|--------------------|----------|-----------|------|
| Rated insulation voltage U_i | IEC/EN | V | 690 | |
| | UL/CSA | V | 600 | |
| Rated impulse withstand voltage U_{imp} | | kV | 6 | |
| Conventional free air thermal current I_{th} | IEC/EN | A | 40 | |
| | UL/CSA | A | 40 | |
| Rated operational voltage | | V | 440 | |
| Rated operational impulse voltage | | kV | 4 | |
| Maximum fuse size for short-circuit protection I_n (gG) | 10kA | A | 40 | |
| | 15kA | A | 35 | |
| | 25kA | A | 35 | |
| Rated short time current I_{cw} | 1s | kA | 1000 | |
| | | | 10/5 mA/V | |
| Conductivity | | | 10/5 mA/V | |
| Operational current I_e IEC/EN | AC1/AC21A | A | 40 | |
| | AC15 | | | |
| | 110V | A | 25 | |
| | 220/230V | A | 22 | |
| | 380/400V | A | 12 | |
| | 660/690V | A | 2 | |
| Rated operational power in AC | Three-phase AC-3 | 220/230V | kW | 7.5 |
| | | 380/440V | kW | 15 |
| | | 500/690V | kW | 15 |
| | Single-phase AC-3 | 110V | kW | 2.2 |
| | | 220/230V | kW | 4.4 |
| | | 380/440V | kW | 7 |
| | Three-phase AC23A | 220/230V | kW | 9 |
| | | 380/440V | kW | 18.5 |
| | | 500/690V | kW | 15 |
| | Single-phase AC23A | 110V | kW | 3 |
| | | 220/230V | kW | 5.2 |
| | | 380/440V | kW | 7.5 |
| Rated operational current in DC | DC21A | | | |

| | | | |
|--|------|-----------------|-------------------|
| | 48V | A | 40 |
| | 60V | A | 40 |
| | 110V | A | 6 |
| | 220V | A | 0.8 |
| | 440V | A | 0.25 |
| <hr/> | | | |
| DC23A (poles in series) | 24V | A | 40 (1) |
| | 48V | A | 40 (1) |
| | 60V | A | 40 (3) |
| | 110V | A | 40 (3) |
| | 220V | A | 12 (4) |
| <hr/> | | | |
| DC13 | 24V | A | 40 |
| | 48V | A | 32 |
| | 60V | A | 16 |
| | 110V | A | 3 |
| | 220V | A | 0.5 |
| | 440V | A | 0.15 |
| <hr/> | | | |
| Power dissipation | | W | 1.6 |
| Mechanical features | | | |
| Terminals screw | | | M4 |
| Tightening torque for terminals max | | Nm | 1.2 |
| <hr/> | | | |
| Conductor size | | | |
| AWG - Rigid cable | | | |
| | min | AWG | 16 |
| | Max | AWG | 8 |
| <hr/> | | | |
| AWG - Flexible cable | | | |
| | min | AWG | 16 |
| | Max | AWG | 10 |
| <hr/> | | | |
| Conductor size (IEC) - Flexible cable | | | |
| | min | mm ² | 1.5 |
| | Max | mm ² | 6 |
| <hr/> | | | |
| Conductor size (IEC) - Rigid cable | | | |
| | min | mm ² | 1.5 |
| | Max | mm ² | 10 |
| <hr/> | | | |
| Mechanical life | | cycles | 1X10 ⁶ |
| UL technical data | | | |
| Motor power for direct-on-line control | | | |
| for three-phase motor | | | |
| | 120V | HP | 5 |
| | 240V | HP | 10 |
| | 480V | HP | 15 |
| | 600V | HP | 15 |
| <hr/> | | | |
| for single-phase motor | | | |
| | 120V | HP | 2 |
| | 240V | HP | 5 |
| <hr/> | | | |
| Ambient conditions | | | |
| Temperature | | | |
| Operating temperature | | | |
| | min | °C | -25 |
| | max | °C | +55 |
| <hr/> | | | |
| Storage temperature | | | |
| | min | °C | -40 |
| | max | °C | +70 |

Resistance & Protection

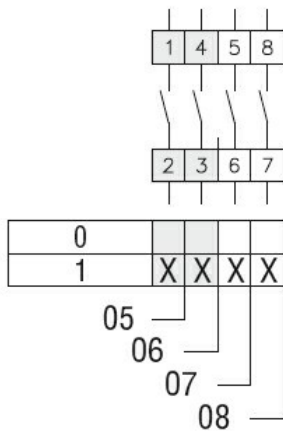
| | |
|---------------------|------|
| Frontal IP degree | IP65 |
| Terminals IP degree | IP20 |

Dimensions



| Series | Dimensions | | | | | | L | | | | |
|-------------|------------|----|----|------|---|----|----|------|--------|-------|--|
| | □A | D1 | D2 | E | G | □K | 1 | 2 | 3...12 | | |
| GX16 | 48 | 12 | 5 | 34.2 | 5 | 36 | 43 | 51.5 | 60 | 136.5 | |
| GX20 | 48 | 12 | 5 | 34.2 | 5 | 36 | 43 | 51.5 | 60 | 136.5 | |
| GX32 | 65 | 14 | 5 | 38 | 6 | 48 | 51 | 63 | 75 | 183 | |
| GX40 | 65 | 14 | 5 | 38 | 6 | 48 | 51 | 63 | 75 | 183 | |

Wiring diagrams



Certifications and compliance

Compliance

- CSA C22.2 n° 14
- IEC/EN/BS 60947-1
- IEC/EN/BS 60947-3
- IEC/EN/BS 60947-5-1
- IEC/EN/BS 61058-1
- UL60947-4-1

Certificates

- cULus
- EAC

ETIM classification

ETIM 8.0

EC001029 -
Selector switch,
complete