

**General characteristics**

Switching diagram	12 - Star-delta motor starter switch
N° of elements	4
Mounting form	O88 - Rear mounting with red/yellow handle padlockable in 0, door coupling and protection covers

**Contact characteristics**

Rated insulation voltage $U_i$	IEC/EN	V	690	
	UL/CSA	V	600	
Rated impulse withstand voltage $U_{imp}$		kV	6	
Conventional free air thermal current $I_{th}$	IEC/EN	A	40	
	UL/CSA	A	40	
Rated operational voltage		V	440	
Rated operational impulse voltage		kV	4	
Maximum fuse size for short-circuit protection $I_n$ (gG)	10kA	A	40	
	15kA	A	35	
	25kA	A	35	
Rated short time current $I_{cw}$	1s	kA	1000	
			10/5 mA/V	
Conductivity			10/5 mA/V	
Operational current $I_e$ IEC/EN	AC1/AC21A	A	40	
	AC15			
	110V	A	25	
	220/230V	A	22	
	380/400V	A	12	
	660/690V	A	2	
Rated operational power in AC	Three-phase AC-3	220/230V	kW	7.5
		380/440V	kW	15
		500/690V	kW	15
	Single-phase AC-3	110V	kW	2.2
		220/230V	kW	4.4
		380/440V	kW	7
	Three-phase AC23A	220/230V	kW	9
		380/440V	kW	18.5
		500/690V	kW	15
	Single-phase AC23A	110V	kW	3
		220/230V	kW	5.2
		380/440V	kW	7.5

Rated operational current in DC  
DC21A

48V	A	40
60V	A	40
110V	A	6
220V	A	0.8
440V	A	0.25

DC23A (poles in series)

24V	A	40 (1)
48V	A	40 (1)
60V	A	40 (3)
110V	A	40 (3)
220V	A	12 (4)

DC13

24V	A	40
48V	A	32
60V	A	16
110V	A	3
220V	A	0.5
440V	A	0.15

Power dissipation	W	1.6
-------------------	---	-----

**Mechanical features**

Terminals screw	M4
-----------------	----

Tightening torque for terminals max	Nm	1.2
-------------------------------------	----	-----

Conductor size

AWG - Rigid cable

min	AWG	16
Max	AWG	8

AWG - Flexible cable

min	AWG	16
Max	AWG	10

Conductor size (IEC) - Flexible cable

min	mm <sup>2</sup>	1.5
Max	mm <sup>2</sup>	6

Conductor size (IEC) - Rigid cable

min	mm <sup>2</sup>	1.5
Max	mm <sup>2</sup>	10

Mechanical life	cycles	1X10 <sup>6</sup>
-----------------	--------	-------------------

**UL technical data**

Motor power for direct-on-line control

for three-phase motor

120V	HP	5
240V	HP	10
480V	HP	15
600V	HP	15

for single-phase motor

120V	HP	2
240V	HP	5

**Ambient conditions**

Temperature

Operating temperature

min	°C	-25
max	°C	+55

Storage temperature

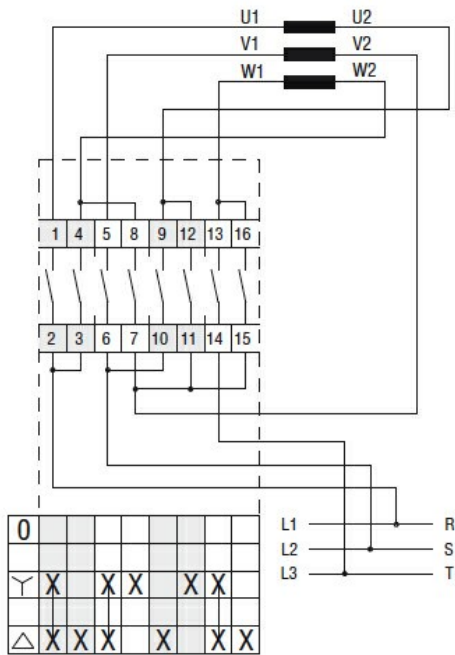
min	°C	-40
max	°C	+70

**Resistance & Protection**

Frontal IP degree	IP65
Terminals IP degree	IP20

**Dimensions**

**Wiring diagrams**



**Certifications and compliance**

**Compliance**

- CSA C22.2 n° 14
- IEC/EN/BS 60947-1
- IEC/EN/BS 60947-3
- IEC/EN/BS 60947-5-1
- IEC/EN/BS 61058-1
- UL60947-4-1

**Certificates**

- cULus
- EAC

**ETIM classification**

ETIM 8.0

EC001029 -  
Selector switch,  
complete