

General characteristics

Switching diagram	12 - Star-delta motor starter switch
N° of elements	4
Mounting form	U - Front mounting with black handle

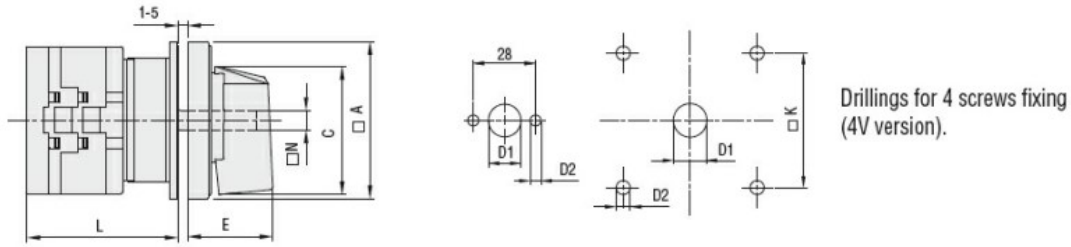
Contact characteristics

Rated insulation voltage U_i	IEC/EN	V	690
	UL/CSA	V	600
Rated impulse withstand voltage U_{imp}		kV	6
Conventional free air thermal current I_{th}	IEC/EN	A	40
	UL/CSA	A	40
Rated operational voltage		V	440
Rated operational impulse voltage		kV	4
Maximum fuse size for short-circuit protection I_n (gG)	10kA	A	40
	15kA	A	35
	25kA	A	35
Rated short time current I_{cw}	1s	kA	1000
			10/5 mA/V
Conductivity			
Operational current I_e IEC/EN	AC1/AC21A		
		A	40
AC15	110V	A	25
	220/230V	A	22
	380/400V	A	12
	660/690V	A	2
Rated operational power in AC	Three-phase AC-3		
	220/230V	kW	7.5
	380/440V	kW	15
	500/690V	kW	15
	Single-phase AC-3		
	110V	kW	2.2
	220/230V	kW	4.4
	380/440V	kW	7
	Three-phase AC23A		
	220/230V	kW	9
	380/440V	kW	18.5
	500/690V	kW	15
Single-phase AC23A	110V	kW	3
	220/230V	kW	5.2
	380/440V	kW	7.5
Rated operational current in DC	DC21A		
	48V	A	40

	60V	A	40
	110V	A	6
	220V	A	0.8
	440V	A	0.25
<hr/>			
DC23A (poles in series)	24V	A	40 (1)
	48V	A	40 (1)
	60V	A	40 (3)
	110V	A	40 (3)
	220V	A	12 (4)
<hr/>			
DC13	24V	A	40
	48V	A	32
	60V	A	16
	110V	A	3
	220V	A	0.5
	440V	A	0.15
<hr/>			
Power dissipation		W	1.6
Mechanical features			
Terminals screw			M4
Tightening torque for terminals max		Nm	1.2
<hr/>			
Conductor size			
AWG - Rigid cable	min	AWG	16
	Max	AWG	8
<hr/>			
AWG - Flexible cable	min	AWG	16
	Max	AWG	10
<hr/>			
Conductor size (IEC) - Flexible cable	min	mm ²	1.5
	Max	mm ²	6
<hr/>			
Conductor size (IEC) - Rigid cable	min	mm ²	1.5
	Max	mm ²	10
<hr/>			
Mechanical life		cycles	1X10 ⁶
UL technical data			
Motor power for direct-on-line control			
for three-phase motor	120V	HP	5
	240V	HP	10
	480V	HP	15
	600V	HP	15
<hr/>			
for single-phase motor	120V	HP	2
	240V	HP	5
<hr/>			
Ambient conditions			
Temperature			
Operating temperature	min	°C	-25
	max	°C	+55
<hr/>			
Storage temperature	min	°C	-40
	max	°C	+70
<hr/>			
Resistance & Protection			

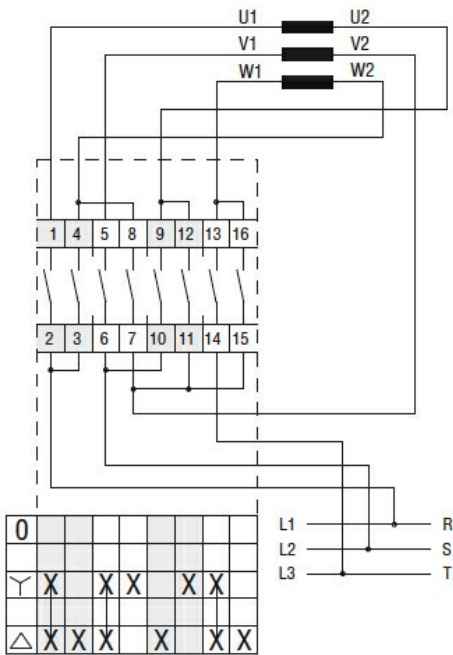
Frontal IP degree	IP65
Terminals IP degree	IP20

Dimensions



Series	Dimensions							L Number of elements											
	□A	C	∅D1	∅D2	E	□K	□N	1	2	3	4	5	6	7	8	9	10	11	12
GX16	48	39.5	12	5	26.5	36	6	43	51.5	60	68.5	77	85.5	94	102.5	111	119.5	128	136.5
GX20	48	39.5	12	5	26.5	36	6	43	51.5	60	68.5	77	85.5	94	102.5	111	119.5	128	136.5
GX32	65	53	14	5	34.5	48	7	51	63	75	85	99	111	123	135	147	159	171	183
GX40	65	53	14	5	34.5	48	7	51	63	75	85	99	111	123	135	147	159	171	183

Wiring diagrams



Certifications and compliance

Compliance

- CSA C22.2 n° 14
- IEC/EN/BS 60947-1
- IEC/EN/BS 60947-3
- IEC/EN/BS 60947-5-1
- IEC/EN/BS 61058-1
- UL60947-4-1

Certificates

- cULus
- EAC

ETIM classification

ETIM 8.0

EC001105 - Off-
load switch