

General characteristics

Switching diagram	13 - Dahlander motor control switch 1-0-2
N° of elements	4
Mounting form	U25 - Front mounting with red/yellow handle padlockable in 0 and protection covers

Contact characteristics

Rated insulation voltage U_i	IEC/EN	V	690	
	UL/CSA	V	600	
Rated impulse withstand voltage U_{imp}		kV	6	
Conventional free air thermal current I_{th}	IEC/EN	A	40	
	UL/CSA	A	40	
Rated operational voltage		V	440	
Rated operational impulse voltage		kV	4	
Maximum fuse size for short-circuit protection I_n (gG)	10kA	A	40	
	15kA	A	35	
	25kA	A	35	
Rated short time current I_{cw}	1s	kA	1000	
			10/5 mA/V	
Conductivity			10/5 mA/V	
Operational current I_e IEC/EN	AC1/AC21A	A	40	
	AC15			
	110V	A	25	
	220/230V	A	22	
	380/400V	A	12	
	660/690V	A	2	
Rated operational power in AC	Three-phase AC-3	220/230V	kW	7.5
		380/440V	kW	15
		500/690V	kW	15
	Single-phase AC-3	110V	kW	2.2
		220/230V	kW	4.4
		380/440V	kW	7
	Three-phase AC23A	220/230V	kW	9
		380/440V	kW	18.5
		500/690V	kW	15
	Single-phase AC23A	110V	kW	3
		220/230V	kW	5.2
		380/440V	kW	7.5

Rated operational current in DC

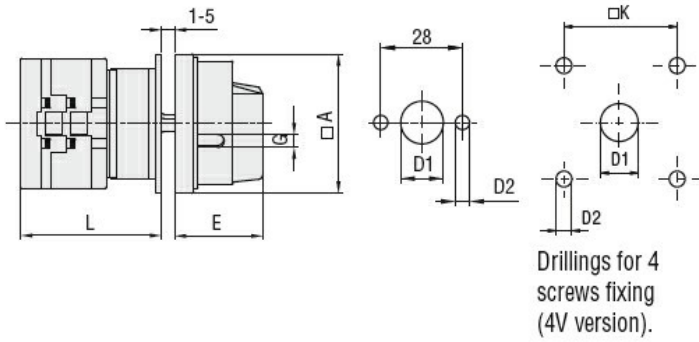
DC21A				
	48V	A	40	
	60V	A	40	
	110V	A	6	
	220V	A	0.8	
	440V	A	0.25	
DC23A (poles in series)				
	24V	A	40 (1)	
	48V	A	40 (1)	
	60V	A	40 (3)	
	110V	A	40 (3)	
	220V	A	12 (4)	
DC13				
	24V	A	40	
	48V	A	32	
	60V	A	16	
	110V	A	3	
	220V	A	0.5	
	440V	A	0.15	
Power dissipation		W	1.6	
Mechanical features				
Terminals screw				M4
Tightening torque for terminals max		Nm	1.2	
Conductor size				
AWG - Rigid cable				
	min	AWG	16	
	Max	AWG	8	
AWG - Flexible cable				
	min	AWG	16	
	Max	AWG	10	
Conductor size (IEC) - Flexible cable				
	min	mm ²	1.5	
	Max	mm ²	6	
Conductor size (IEC) - Rigid cable				
	min	mm ²	1.5	
	Max	mm ²	10	
Mechanical life		cycles	1X10 ⁶	
UL technical data				
Motor power for direct-on-line control				
for three-phase motor				
	120V	HP	5	
	240V	HP	10	
	480V	HP	15	
	600V	HP	15	
for single-phase motor				
	120V	HP	2	
	240V	HP	5	
Ambient conditions				
Temperature				
Operating temperature				
	min	°C	-25	
	max	°C	+55	
Storage temperature				
	min	°C	-40	

max °C +70

Resistance & Protection

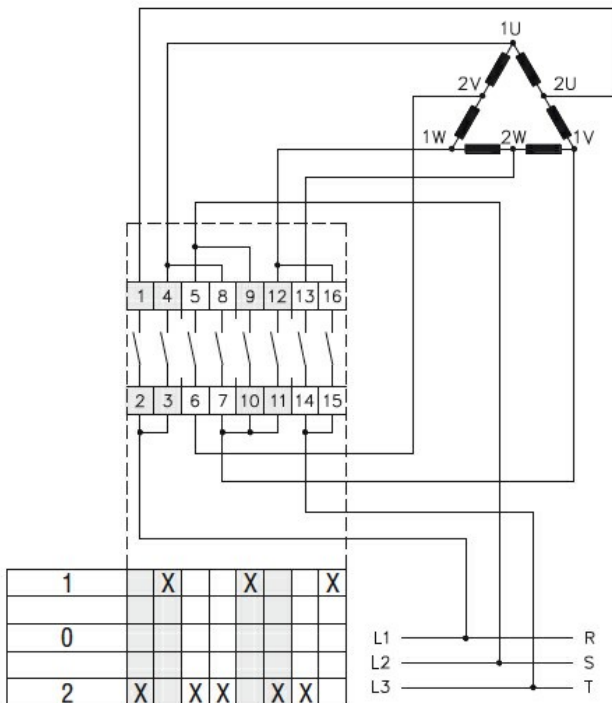
Frontal IP degree	IP65
Terminals IP degree	IP20

Dimensions



Series	Dimensions						L				
	□A	D1	D2	E	G	□K	1	2	3...12		
GX16	48	12	5	34.2	5	36	43	51.5	60	136.5	
GX20	48	12	5	34.2	5	36	43	51.5	60	136.5	
GX32	65	14	5	38	6	48	51	63	75	183	
GX40	65	14	5	38	6	48	51	63	75	183	

Wiring diagrams



Certifications and compliance

Compliance

- CSA C22.2 n° 14
- IEC/EN/BS 60947-1
- IEC/EN/BS 60947-3
- IEC/EN/BS 60947-5-1
- IEC/EN/BS 61058-1

UL60947-4-1

Certificates

cULus
EAC

ETIM classification

ETIM 8.0

EC001029 -
Selector switch,
complete