



Contact characteristics			
Contact configuration			1 C/O
Rated insulation voltage $U_i$ IEC/EN	V		250
Rated impulse withstand voltage $U_{imp}$	kV		4
IEC Conventional free air thermal current $I_{th} \leq 40^\circ C$	A		6
Maximum instantaneous current	A		20 (500ms)
Rated current ( $I_n$ )	A		6
UL/CSA and IEC/EN 60947-5-1 designation			B300 – R300
UL rating			6A 277VAC; 6A 30VDC
Max contrrollable power in			
	AC-1	W	1500
	AC-15	VA	360
Rated operating power AC-1		VA	1500
Rated operating power AC-15	230 VAC	VA	360
Single-phase motor control	230VAC	kW	0.186
Rated operating current DC-1			
	30V	A	6
	110V	A	0.2
	220V	A	0.12
Minimum switching load		V / mA	5 / 100
Contact impedance		m $\Omega$	100
Contact material			Ag/Ni
Operating times			
Closing		ms	$\leq 8$
Opening		ms	$\leq 4$
Operations			
Mechanical life		cycles	10000000
Electrical life AC1		cycles	30000
Coil characteristics			
Relay control voltage		V	12VDC; 12VAC/DC
Average coil consumption DC at 20°C		W	0.2
Operating range			
	Closing	% $U_n$	$\geq 75$
	Opening	% $U_n$	$\geq 5$
Maximum cycle frequency		cycles/h	10000
Mechanical features			
Max socket terminal tightening torque		Nm	0.5
Socket screw tightening tool (cross / flat blade)			PH0 / 3.5mm
Conductor section			
	AWG/Kcmil		

	min	20	
	max	16	
IEC			
	min	mm <sup>2</sup>	0.5
	max	mm <sup>2</sup>	1.5
Operating position	normal	Any	
Fixing	On 35mm DIN rail		

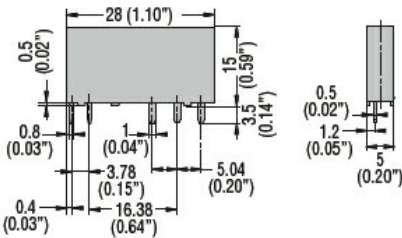
**Ambient conditions**

Temperature	Operating temperature		
	min	°C	-40
	max	°C	+70
	Storage temperature		
	min	°C	-40
	max	°C	+80

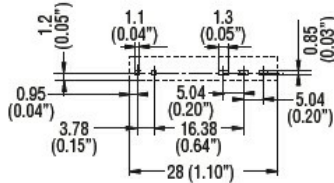
**Other features**

Indication	Yes (on the socket)
Mechanical contact position indicator	No
Mechanical test actuator	No

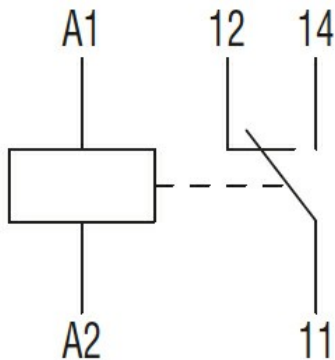
**Dimensions**



PCB layout



**Wiring diagrams**



**Certifications and compliance**

Compliance	IEC/EN 61810
------------	--------------

---

Certificates

CSA

---

cURus

---

EAC

---

VDE

**ETIM classification**

ETIM 8.0

EC001437 -  
Switching relay