



### Contact characteristics

Contact configuration			1 C/O
Rated insulation voltage $U_i$ IEC/EN	V		250
Rated impulse withstand voltage $U_{imp}$	kV		4
IEC Conventional free air thermal current $I_{th} \leq 40^\circ\text{C}$	A		16
Maximum instantaneous current	A		60
Rated current ( $I_n$ )	A		16
Max contrrollable power in	AC-1	W	3840
	AC-15	VA	150
Rated operating power AC-1		VA	4000
	230 VAC	VA	500
Rated operating power AC-15		VA	500
	230VAC	kW	0.37
Single-phase motor control	30V	A	10
	110V	A	0.3
	220V	A	0.12
Rated operating current DC-1	V / mA		5 / 100
	m $\Omega$		100
Minimum switching load			AgSnO <sub>2</sub>
Contact impedance			
Contact material			

### Operating times

Closing	ms	<15
Opening	ms	<5

### Operations

Mechanical life	cycles	10000000
Electrical life AC1	cycles	100000

### Coil characteristics

Relay control voltage	V	12VDC
Average coil consumption DC at 20°C	W	0.7

### Operating range

Maximum cycle frequency	Closing	% $U_n$	75...110
	Opening	% $U_n$	10...30
Maximum cycle frequency	cycles/h		3600

### Mechanical features

Max socket terminal tightening torque	Nm	0.6	
Socket screw tightening tool (cross / flat blade)		PH1 / 4.5mm	
Conductor section	AWG/Kcmil	min	20
		max	14
Conductor section	IEC	min	mm <sup>2</sup> 0.5

	max	mm <sup>2</sup>	2.5
Operating position	normal		Any
Fixing			On 35mm DIN rail and with screw

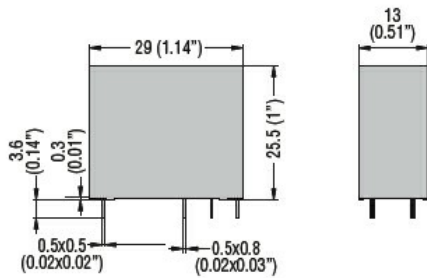
**Ambient conditions**

Temperature	Operating temperature		
	min	°C	-40
	max	°C	+85
	Storage temperature		
	min	°C	-40
	max	°C	+85

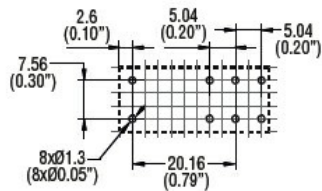
**Other features**

Indication	No
Mechanical contact position indicator	No
Mechanical test actuator	No

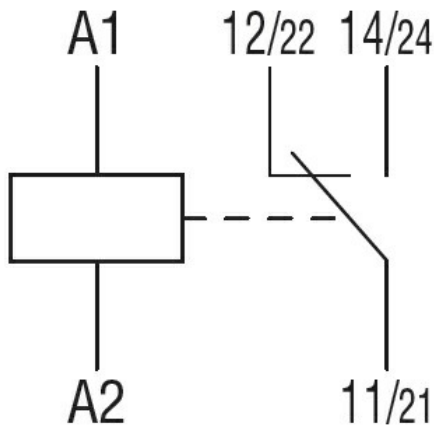
**Dimensions**



PCB layout



**Wiring diagrams**



**Certifications and compliance**

Compliance	IEC/EN 61810
------------	--------------

---

Certificates

cURus

ETIM classification

ETIM 8.0

EC001437 –  
Switching relay