



Contact characteristics			
Contact configuration			2 C/O
Rated insulation voltage U_i IEC/EN	V		250
Rated impulse withstand voltage U_{imp}	kV		4
IEC Conventional free air thermal current $I_{th} \leq 40^\circ\text{C}$	A		5
Rated current (I_n)	A		5
Max contrrollable power in			
	AC-1	W	1250
Rated operating power AC-1		VA	1250
Single-phase motor control			
	230VAC	kW	0.12
Minimum switching load	V / mA		5 / 100
Contact impedance	m Ω		50
Contact material			AgSnO ₂
Operating times			
Closing	ms		<20
Opening	ms		<10
Operations			
Mechanical life	cycles		10000000
Electrical life AC1	cycles		100000
Coil characteristics			
Relay control voltage	V		230VAC
Average coil consumption AC at 20°C	VA		1
Operating range			
	Closing	% U_n	80...110
	Opening	% U_n	>10
Maximum cycle frequency		cycles/h	1800
Mechanical features			
Max socket terminal tightening torque	Nm		0.6
Socket screw tightening tool (cross / flat blade)			PH1 / 4.5mm
Conductor section			
	AWG/Kcmil		
		min	20
		max	14
	IEC		
		min	mm ² 0.5
		max	mm ² 2.5
Operating position			
	normal		Any
Fixing			On 35mm DIN rail and with screw
Ambient conditions			
Temperature			

Operating temperature

min	°C	-40
max	°C	+85

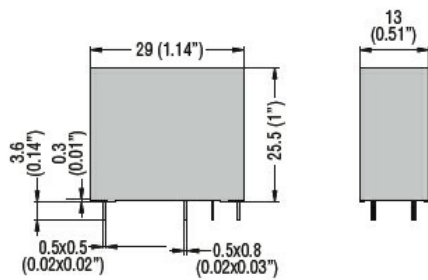
Storage temperature

min	°C	-40
max	°C	+85

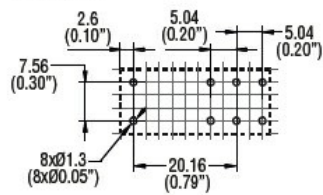
Other features

Indication	No
Mechanical contact position indicator	No
Mechanical test actuator	No

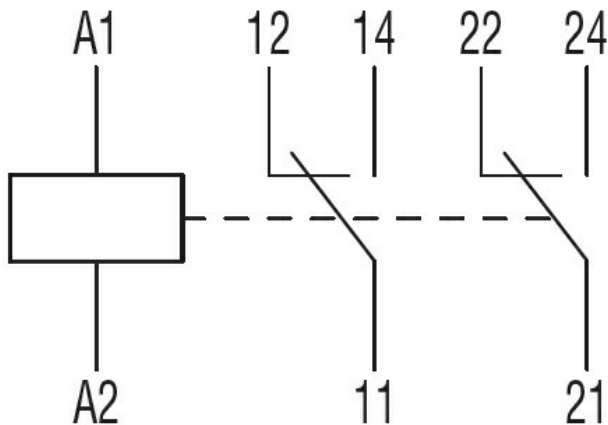
Dimensions



PCB layout



Wiring diagrams



Certifications and compliance

Compliance

IEC/EN 61810

Certificates

cURus

ETIM classification

ETIM 8.0

EC001437 –
Switching relay