



### Contact characteristics

Contact configuration			1 C/O
Rated insulation voltage $U_i$ IEC/EN	V		250
Rated impulse withstand voltage $U_{imp}$	kV		6
IEC Conventional free air thermal current $I_{th} \leq 40^\circ\text{C}$	A		16
Maximum instantaneous current	A		20
Rated current ( $I_n$ )	A		16
Max contrrollable power in	AC-1	W	4000
	AC-15	VA	150
Rated operating power AC-1		VA	4000
	230 VAC	VA	150
Rated operating power AC-15		VA	150
	230VAC	kW	0.1
Single-phase motor control	30V	A	12
	110V	A	0.3
	220V	A	0.1
Rated operating current DC-1	V / mA		5 / 100
	m $\Omega$		100
Minimum switching load			Ag/Ni
Contact impedance			
Contact material			

### Operating times

Closing	ms	<15
Opening	ms	<15

### Operations

Mechanical life	cycles	10000000
Electrical life AC1	cycles	30000

### Coil characteristics

Relay control voltage	V	110VAC
Average coil consumption AC at 20°C	VA	1
Average coil consumption DC at 20°C	W	0.4

### Operating range

Maximum cycle frequency	Closing	% $U_n$	70...110
	Opening	% $U_n$	20...55
		cycles/h	3600

### Mechanical features

Max socket terminal tightening torque	Nm	0.6	
Socket screw tightening tool (cross / flat blade)		PH1 / 4.5mm	
Conductor section	AWG/Kcmil		
		min	20
		max	14

IEC

	min	mm <sup>2</sup>	0.5
	max	mm <sup>2</sup>	2.5
Operating position	normal	Any	
Fixing	On 35mm DIN rail and with screw		

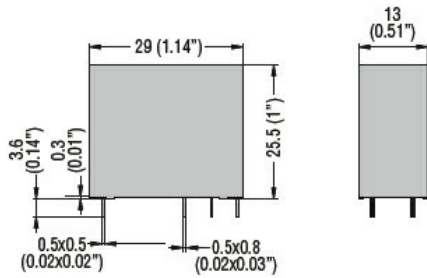
**Ambient conditions**

Temperature	Operating temperature		
	min	°C	-40
	max	°C	+70
	Storage temperature		
	min	°C	-40
	max	°C	+85

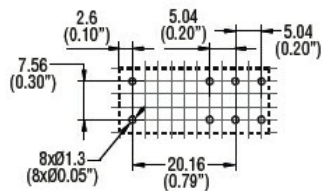
**Other features**

Indication	Yes
Mechanical contact position indicator	Yes
Mechanical test actuator	Yes

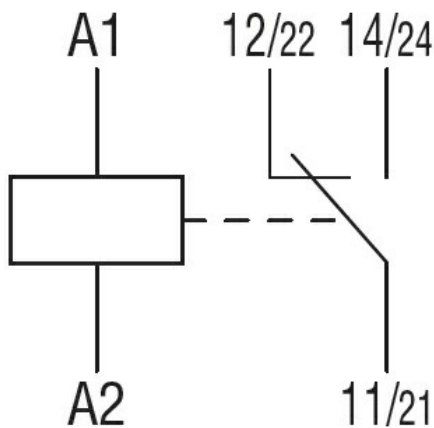
**Dimensions**



**PCB layout**



**Wiring diagrams**



**Certifications and compliance**

**Compliance**

IEC/EN 61810

---

Certificates

CSA

---

cURus

---

EAC

---

VDE

ETIM classification

ETIM 8.0

EC001437 -  
Switching relay