



Contact characteristics

Contact configuration				1 C/O
Rated insulation voltage U_i IEC/EN		V		250
Rated impulse withstand voltage U_{imp}		kV		6
IEC Conventional free air thermal current $I_{th} \leq 40^\circ\text{C}$		A		16
Maximum instantaneous current		A		20
Rated current (I_n)		A		16
Max contrrollable power in	AC-1	W		4000
	AC-15	VA		150
Rated operating power AC-1		VA		4000
	230 VAC	VA		150
Rated operating power AC-15		VA		150
	230VAC	kW		0.1
Single-phase motor control	30V	A		12
	110V	A		0.3
	220V	A		0.1
Minimum switching load		V / mA		5 / 100
		mΩ		100
Contact impedance				Ag/Ni
Contact material				

Operating times

Closing	ms	<15
Opening	ms	<15

Operations

Mechanical life	cycles	10000000
Electrical life AC1	cycles	30000

Coil characteristics

Relay control voltage	V	48VDC
Average coil consumption AC at 20°C	VA	1
Average coil consumption DC at 20°C	W	0.4

Operating range

Maximum cycle frequency	Closing	% U_n	75...110
	Opening	% U_n	10...30
		cycles/h	3600

Mechanical features

Max socket terminal tightening torque	Nm	0.6	
Socket screw tightening tool (cross / flat blade)		PH1 / 4.5mm	
Conductor section	AWG/Kcmil		
		min	20
		max	14

IEC

	min	mm ²	0.5
	max	mm ²	2.5
Operating position	normal		Any
Fixing			On 35mm DIN rail and with screw

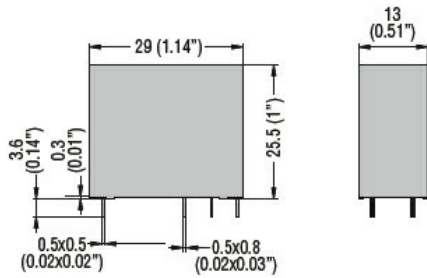
Ambient conditions

Temperature	Operating temperature	min	°C	-40
		max	°C	+70
	Storage temperature	min	°C	-40
		max	°C	+85

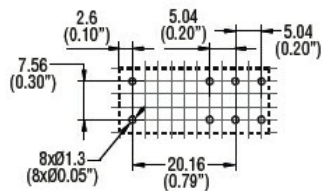
Other features

Indication	Yes
Mechanical contact position indicator	Yes
Mechanical test actuator	Yes

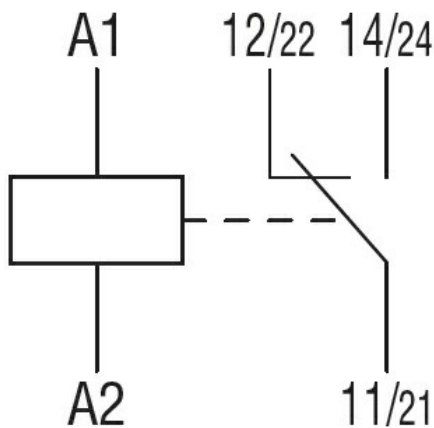
Dimensions



PCB layout



Wiring diagrams



Certifications and compliance

Compliance

IEC/EN 61810

Certificates

CSA

cURus

EAC

VDE

ETIM classification

ETIM 8.0

EC001437 -
Switching relay