



Contact characteristics			
Contact configuration			2 C/O
Rated insulation voltage $U_i$ IEC/EN	V		250
Rated impulse withstand voltage $U_{imp}$	kV		6
IEC Conventional free air thermal current $I_{th} \leq 40^\circ\text{C}$	A		8
Maximum instantaneous current	A		10
Rated current ( $I_n$ )	A		8
Max contrrollable power in	AC-1	W	2000
	AC-15	VA	150
Rated operating power AC-1		VA	2000
Rated operating power AC-15	230 VAC	VA	150
Rated operating current DC-1	30V	A	8
	110V	A	0.3
	220V	A	0.1
Minimum switching load	V / mA		5 / 100
Contact impedance	m $\Omega$		100
Contact material			Ag/Ni
Operating times			
Closing	ms		<15
Opening	ms		<15
Operations			
Mechanical life	cycles		10000000
Electrical life AC1	cycles		50000
Coil characteristics			
Relay control voltage	V		12VDC
Average coil consumption AC at 20°C	VA		1
Average coil consumption DC at 20°C	W		0.4
Operating range	Closing	% $U_n$	75...110
	Opening	% $U_n$	10...30
Maximum cycle frequency	cycles/h		3600
Mechanical features			
Max socket terminal tightening torque	Nm		0.6
Socket screw tightening tool (cross / flat blade)			PH1 / 4.5mm
Conductor section	AWG/Kcmil	min	20
		max	14
IEC		min	mm <sup>2</sup> 0.5
		max	mm <sup>2</sup> 2.5

Operating position	normal	Any
Fixing		On 35mm DIN rail and with screw

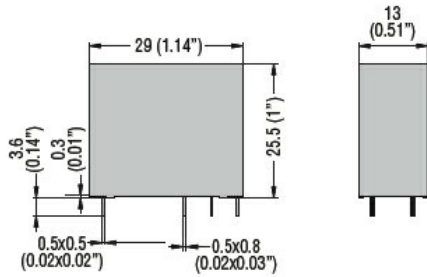
**Ambient conditions**

Temperature	Operating temperature	min °C	-40
		max °C	+70
	Storage temperature	min °C	-40
		max °C	+85

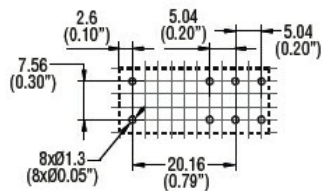
**Other features**

Indication	Yes
Mechanical contact position indicator	Yes
Mechanical test actuator	Yes

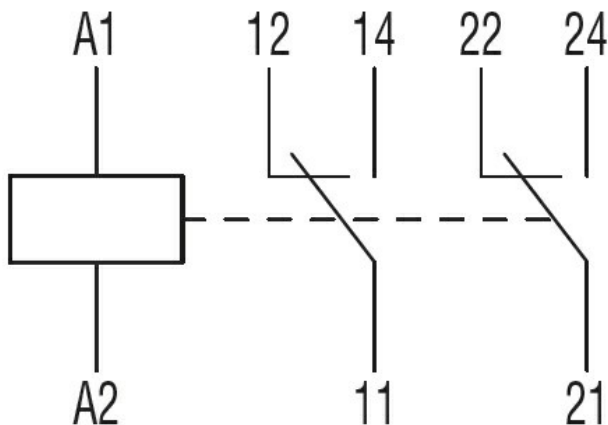
**Dimensions**



PCB layout



**Wiring diagrams**



**Certifications and compliance**

Compliance	IEC/EN 61810
Certificates	CSA

---

cURus

---

EAC

---

VDE

**ETIM classification**

ETIM 8.0

EC001437 -  
Switching relay