



Contact characteristics

Rated insulation voltage U_i IEC/EN	V	250
Rated impulse withstand voltage U_{imp}	kV	4

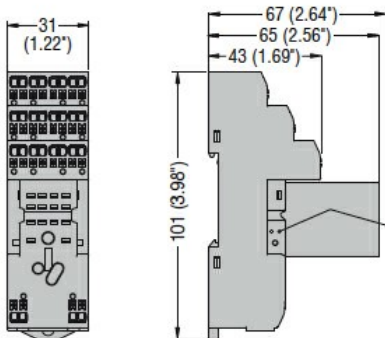
Mechanical features

Socket screw tightening tool (cross / flat blade)	Phillips 1/4.5mm
---	------------------

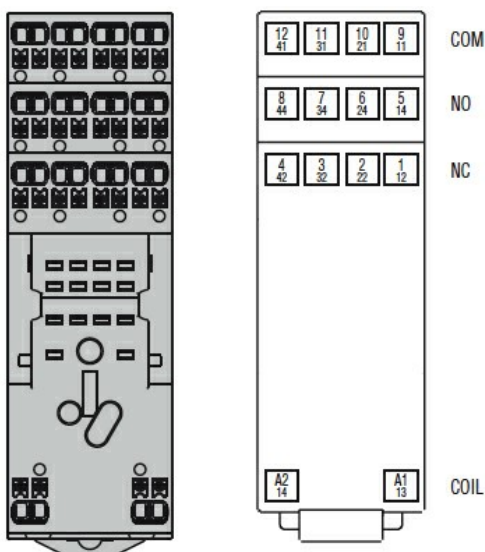
Conductor section			
AWG/Kcmil	min	20	
	max	14	
IEC	min	mm ²	0.5
	max	mm ²	2.5

Fixing	On 35mm DIN rail
--------	------------------

Dimensions



Wiring diagrams



Certifications and compliance

Compliance

IEC/EN 61810

Certificates

CSA

cURus

EAC

ETIM classification

ETIM 8.0

EC001456 -
Relay socket