



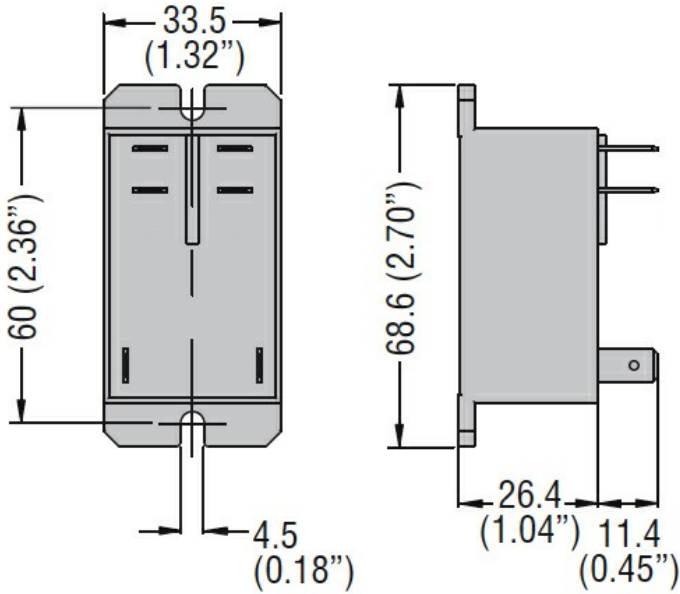
Contact characteristics			
Contact configuration			2 NO
Rated insulation voltage $U_i$ IEC/EN	V		250
Rated impulse withstand voltage $U_{imp}$	kV		4
IEC Conventional free air thermal current $I_{th} \leq 40^\circ\text{C}$	A		30
Rated current ( $I_n$ )	A		30
Single-phase motor control	230VAC	kW	2.2
Contact impedance		m $\Omega$	50
Contact material			Ag/SnO <sub>2</sub>
Operating times			
Closing		ms	25
Opening		ms	25
Operations			
Mechanical life		cycles	5000000
Electrical life AC1		cycles	100000
Coil characteristics			
Relay control voltage		V	230VAC - 50/60Hz
Average coil consumption AC at 20°C		VA	4
Operating range	Closing	% $U_n$	80...110
	Opening	% $U_n$	20...55
Maximum cycle frequency		cycles/h	360
UL technical data			
UL/CSA General Use		A	30A 277V (NO)
Yielded mechanical performance for single-phase AC motor	110/120V	HP	1 (NO)
	240V	HP	2.5 (NO)
Full-load current (FLA) at 240V		A	14.5 (NO)
Locked rotor current (LRA) at 240V		A	87 (NO)
Mechanical features			
Operating position	normal		Any
Fixing			With screw
Ambient conditions			
Temperature	Operating temperature	min °C	-40
		max °C	+85
	Storage temperature	min °C	-40
		max °C	+85
Resistance & Protection			

Pollution degree 3

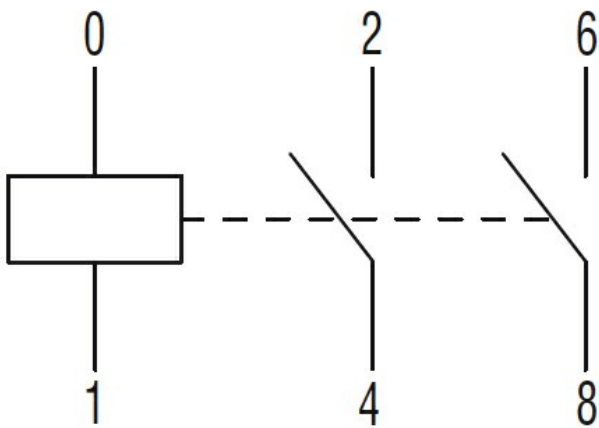
**Other features**

Indication	No
Mechanical contact position indicator	No
Mechanical test actuator	No

**Dimensions**



**Wiring diagrams**



**Certifications and compliance**

Compliance IEC/EN/BS 61810-1

Certificates  
 cURus  
 EAC  
 TUV (ATEX)  
 VDE

**ETIM classification**

ETIM 8.0 EC001437 – Switching relay