

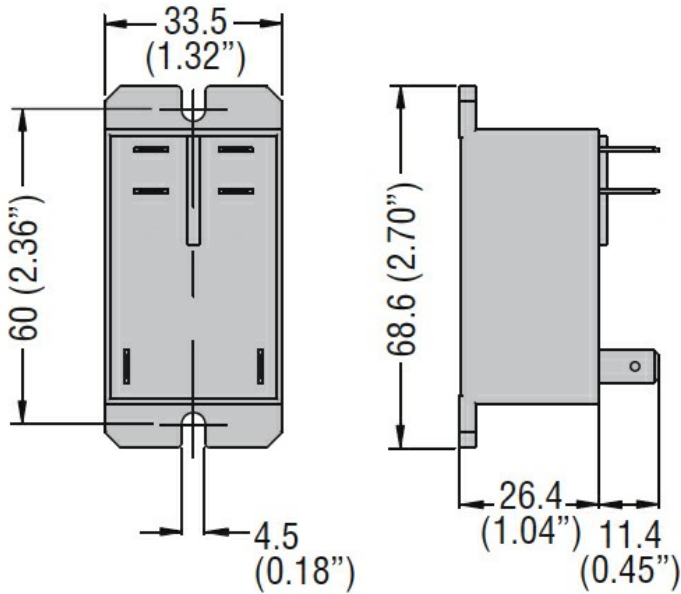


Contact characteristics			
Contact configuration			2 NO
Rated insulation voltage U_i IEC/EN	V		250
Rated impulse withstand voltage U_{imp}	kV		4
IEC Conventional free air thermal current $I_{th} \leq 40^\circ\text{C}$	A		30
Rated current (I_n)	A		30
Single-phase motor control			
	230VAC	kW	2.2
Contact impedance		m Ω	50
Contact material			Ag/SnO2
Operating times			
Closing		ms	25
Opening		ms	25
Operations			
Mechanical life		cycles	5000000
Electrical life AC1		cycles	100000
Coil characteristics			
Relay control voltage		V	12VDC
Average coil consumption AC at 20°C		VA	1,7
Operating range			
	Closing	% U_n	80...110
	Opening	% U_n	20...55
Maximum cycle frequency		cycles/h	360
UL technical data			
UL/CSA General Use		A	30A 277V (NO)
Yielded mechanical performance for single-phase AC motor			
	110/120V	HP	1 (NO)
	240V	HP	2.5 (NO)
Full-load current (FLA) at 240V		A	14.5 (NO)
Locked rotor current (LRA) at 240V		A	87 (NO)
Mechanical features			
Operating position			
	normal		Any
Fixing			With screw
Ambient conditions			
Temperature			
	Operating temperature		
		min °C	-40
		max °C	+85
	Storage temperature		
		min °C	-40
		max °C	+85
Resistance & Protection			
Pollution degree			3

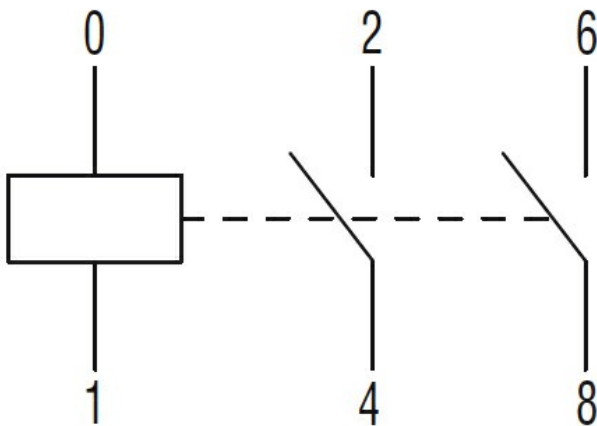
Other features

Indication	No
Mechanical contact position indicator	No
Mechanical test actuator	No

Dimensions



Wiring diagrams



Certifications and compliance

Compliance

IEC/EN/BS 61810-1

Certificates

cURus

EAC

TUV (ATEX)

VDE

ETIM classification

ETIM 8.0

EC001437 –
Switching relay