



Contact characteristics			
Contact configuration			2 C/O
Rated insulation voltage U_i IEC/EN	V		250
Rated impulse withstand voltage U_{imp}	kV		4
IEC Conventional free air thermal current $I_{th} \leq 40^\circ\text{C}$	A		30 NO (3A NC)
Rated current (I_n)	A		30
Single-phase motor control	230VAC	kW	2.2
Contact impedance		m Ω	50
Contact material			Ag/SnO ₂
Operating times			
Closing		ms	25
Opening		ms	25
Operations			
Mechanical life		cycles	5000000
Electrical life AC1		cycles	100000
Coil characteristics			
Relay control voltage	V		24VAC - 50/60Hz
Average coil consumption AC at 20°C	VA		4
Operating range		Closing Opening	% U_n 80...110 % U_n 20...55
Maximum cycle frequency		cycles/h	360
UL technical data			
UL/CSA General Use	A		30A 277V (NO) 3A 277V (NC)
Yielded mechanical performance for single-phase AC motor	110/120V 240V	HP	1 (NO) 2.5 (NO)
Full-load current (FLA) at 240V		A	14.5 (NO)
Locked rotor current (LRA) at 240V		A	87 (NO)
Mechanical features			
Operating position	normal		Any
Fixing			With screw
Ambient conditions			
Temperature	Operating temperature	min max	$^\circ\text{C}$ -40 $^\circ\text{C}$ +85
	Storage temperature	min max	$^\circ\text{C}$ -40 $^\circ\text{C}$ +85
Resistance & Protection			

Pollution degree 3

Other features

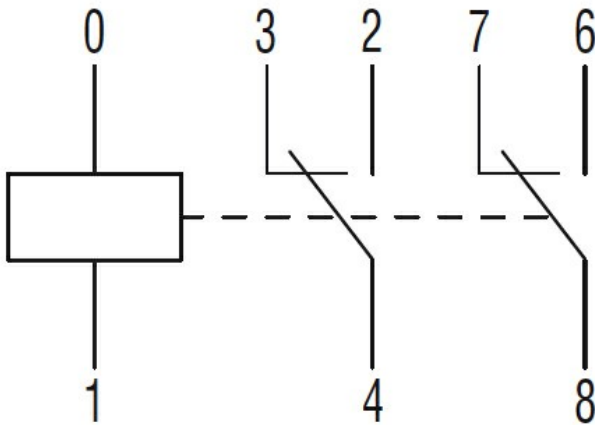
Indication No

Mechanical contact position indicator No

Mechanical test actuator No

Dimensions

Wiring diagrams



Certifications and compliance

Compliance IEC/EN/BS 61810-1

Certificates
cURus
EAC
TUV (ATEX)
VDE

ETIM classification

ETIM 8.0 EC001437 – Switching relay