



Contact characteristics

Contact configuration			2 C/O
Rated insulation voltage U_i IEC/EN	V		250
Rated impulse withstand voltage U_{imp}	kV		6
IEC Conventional free air thermal current $I_{th} \leq 40^\circ\text{C}$	A		8
Maximum instantaneous current	A		10
Rated current (I_n)	A		8
Max contrrollable power in	AC-1	W	2000
	AC-15	VA	150
Rated operating power AC-1		VA	2000
Rated operating power AC-15	230 VAC	VA	150
Rated operating current DC-1	30V	A	8
	110V	A	0.3
	220V	A	0.1
Minimum switching load	V / mA		5 / 100
Contact impedance	m Ω		100
Contact material			Ag/Ni

Operating times

Closing	ms		<15
Opening	ms		<15

Operations

Mechanical life	cycles		10000000
Electrical life AC1	cycles		50000

Coil characteristics

Relay control voltage	V		24VDC
Average coil consumption AC at 20°C	VA		1
Average coil consumption DC at 20°C	W		0.4

Operating range

Maximum cycle frequency	Closing	% U_n	75...110
	Opening	% U_n	10...30
		cycles/h	3600

Mechanical features

Max socket terminal tightening torque	Nm		0.6	
Socket screw tightening tool (cross / flat blade)			PH1 / 4.5mm	
Conductor section	AWG/Kcmil	min	20	
		max	14	
	IEC	min	mm ²	0.5
		max	mm ²	2.5

Operating position	normal	Any
Fixing		On 35mm DIN rail and with screw

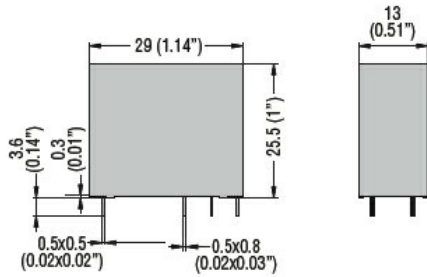
Ambient conditions

Temperature	Operating temperature		
	min	°C	-40
	max	°C	+70
	Storage temperature		
	min	°C	-40
	max	°C	+85

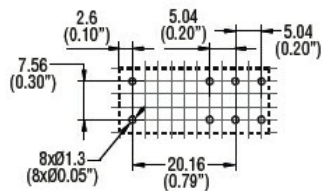
Other features

Indication	Yes
Mechanical contact position indicator	Yes
Mechanical test actuator	Yes

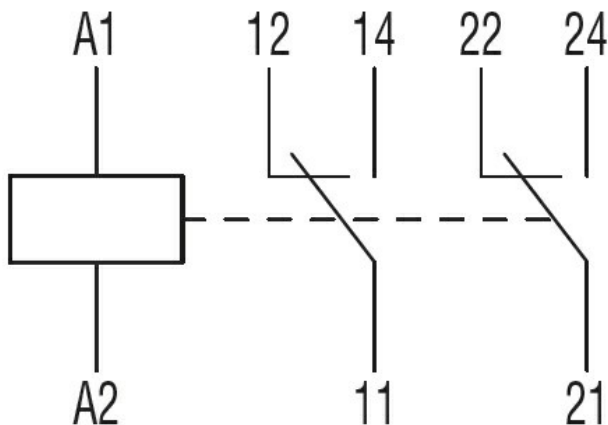
Dimensions



PCB layout



Wiring diagrams



Certifications and compliance

Compliance	IEC/EN 61810
------------	--------------

ETIM classification

ETIM 8.0

EC001437 -
Switching relay