



### Contact characteristics

Contact configuration	2 C/O		
Rated insulation voltage $U_i$ IEC/EN	V	250	
Rated impulse withstand voltage $U_{imp}$	kV	6	
IEC Conventional free air thermal current $I_{th} \leq 40^\circ\text{C}$	A	8	
Maximum instantaneous current	A	10	
Rated current ( $I_n$ )	A	8	
Max contrrollable power in	AC-1	W	2000
	AC-15	VA	150
Rated operating power AC-1			VA 2000
			230 VAC VA 150
Rated operating power AC-15	30V	A	8
	110V	A	0.3
	220V	A	0.1
Minimum switching load	V / mA	5 / 100	
Contact impedance	m $\Omega$	100	
Contact material	Ag/Ni		

### Operating times

Closing	ms	<15
Opening	ms	<15

### Operations

Mechanical life	cycles	10000000
Electrical life AC1	cycles	50000

### Coil characteristics

Relay control voltage	V	24VDC
Average coil consumption AC at 20°C	VA	1
Average coil consumption DC at 20°C	W	0.4

### Operating range

Maximum cycle frequency	Closing	% $U_n$	75...110
	Opening	% $U_n$	10...30
Maximum cycle frequency	cycles/h	3600	

### Mechanical features

Max socket terminal tightening torque	Nm	0.6	
Socket screw tightening tool (cross / flat blade)	PH1 / 4.5mm		
Conductor section	AWG/Kcmil	min	20
		max	14
IEC		min	mm <sup>2</sup> 0.5
		max	mm <sup>2</sup> 2.5

Operating position	normal	Any
Fixing		On 35mm DIN rail and with screw

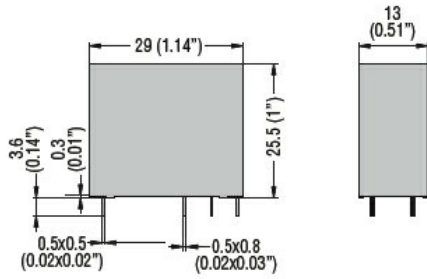
**Ambient conditions**

Temperature	Operating temperature	min	°C	-40
		max	°C	+70
	Storage temperature	min	°C	-40
		max	°C	+85

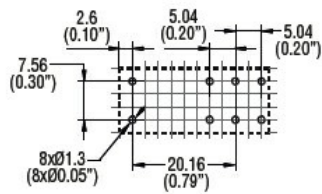
**Other features**

Indication	Yes
Mechanical contact position indicator	Yes
Mechanical test actuator	Yes

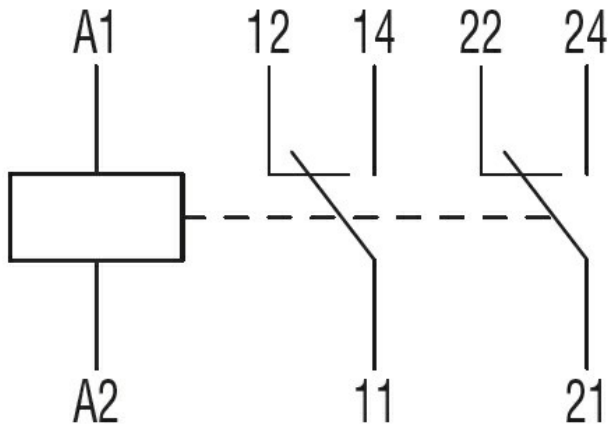
**Dimensions**



PCB layout



**Wiring diagrams**



**Certifications and compliance**

Compliance	IEC/EN 61810
------------	--------------

**ETIM classification**

ETIM 8.0

EC001437 -  
Switching relay